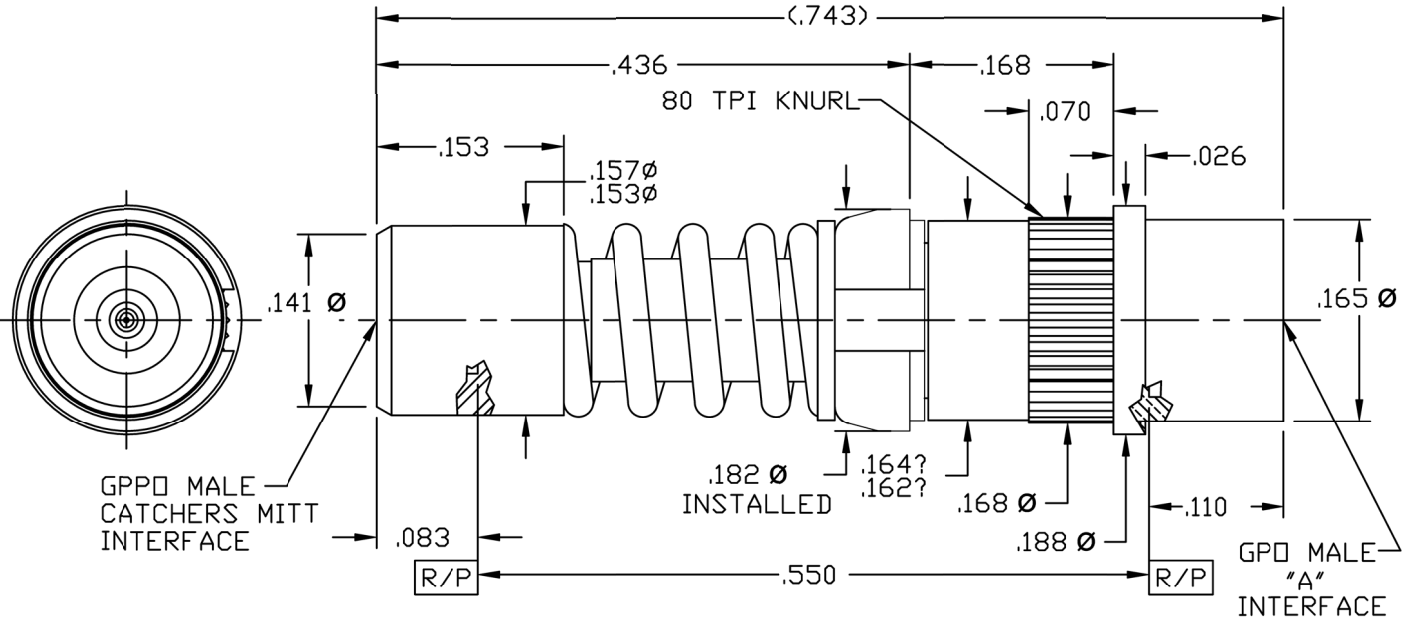
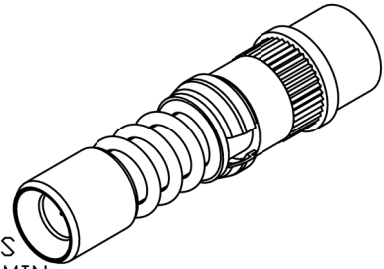


CATALOG NUMBER	"A" INTERFACE
0118-942-5-CM-FD	FULL DETENT
0118-942-5-CM-LD	LIMITED DETENT
0118-942-5-CM-SB	SMOOTH BORE

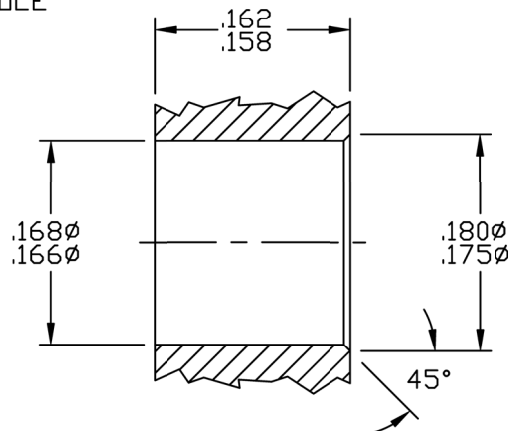
MATERIAL AND FINISH

GPPD SHROUD AND
 SPRING SLEEVE:
 CENTER CONTACT, GPO
 SHROUD, AND SNAP RING:
 DIELECTRICS:
 SPRING:

CRES 303; PASSIVATED
 BeCu; GOLD PLATE 50-100 MICROINCHES
 OVER NICKEL PLATE 50 MICROINCHES MIN.
 VIRGIN PTFE
 STAINLESS STEEL 17-7



RECOMMENDED MOUNTING HOLE



This drawing and any data contained herein is the property of Corning Gilbert Inc., and constitutes and contains proprietary and confidential information. Neither receipt nor possession of this drawing confers or transfers any right to duplicate, use or disclose any information contained herein except as expressly authorized by Corning Gilbert Inc.

GPPD MALE CATCHERS MITT
 SNAP-IN FLOAT MOUNT TO
 GPO MALE (TAB DETENT)

IDENT CODE:
 82316
 REVISION: C

Corning Gilbert Inc.

SOURCE FILE: SK-2158

DWG. NO.: OL-0118-942-5-CM-TAB

ASSY. PROC.: -