

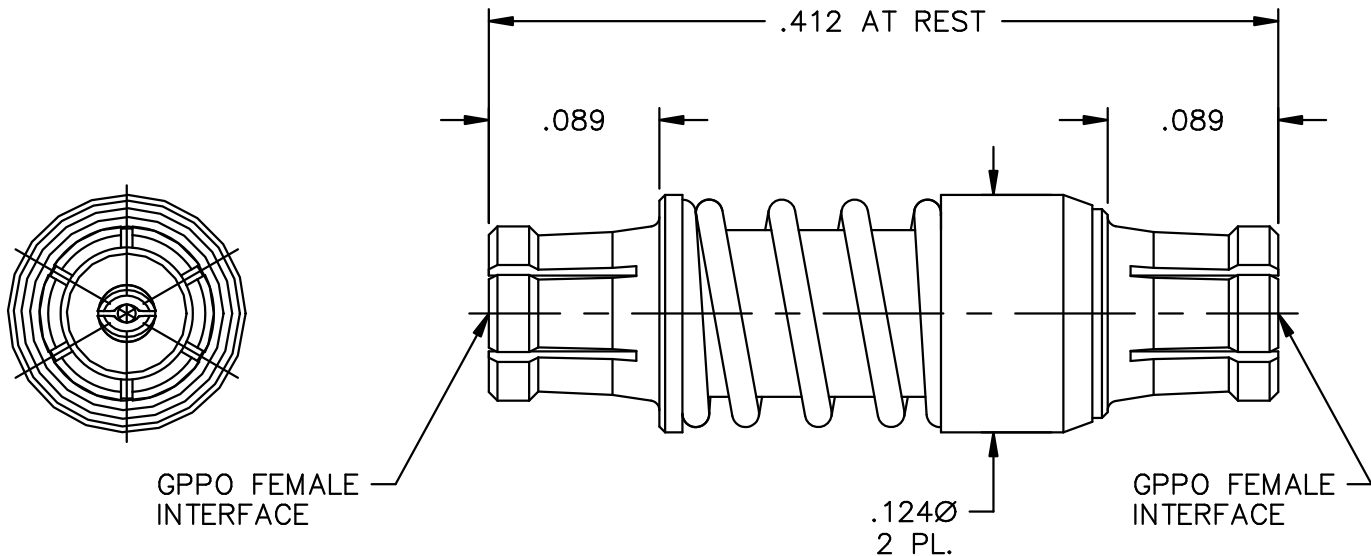
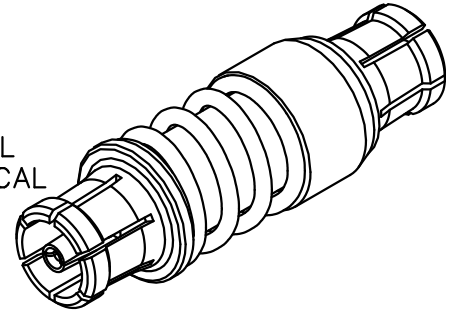
CATALOG NUMBER

B1B1-0001-10

MATERIAL AND FINISH

CENTER CONTACT,
HOUSING AND SLEEVE:
DIELECTRIC:
SPRING:

BeCu; GOLD PLATE 75 MICROINCHES TYPICAL
OVER NICKEL PLATE 100 MICROINCHES TYPICAL
VIRGIN PTFE
STAINLESS STEEL 17-7 PH



NOTES:

- .030 MAX TRAVEL.

This drawing and any data contained herein is the property of Corning Gilbert Inc., and constitutes and contains proprietary and confidential information. Neither receipt nor possession of this drawing confers or transfers any right to duplicate, use or disclose any information contained herein except as expressly authorized by Corning Gilbert Inc.

GPPO SPRING LOADED
BLINDMATE INTERCONNECT
.412 RELAXED LENGTH

IDENT CODE:
82316

REVISION: A

Corning Gilbert Inc.

SOURCE FILE: SK-2757

DWG. NO.: OL-B1B1-0001-10

ASSY. PROC.: -