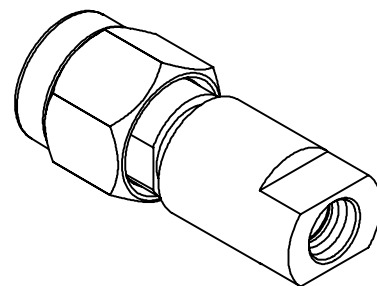
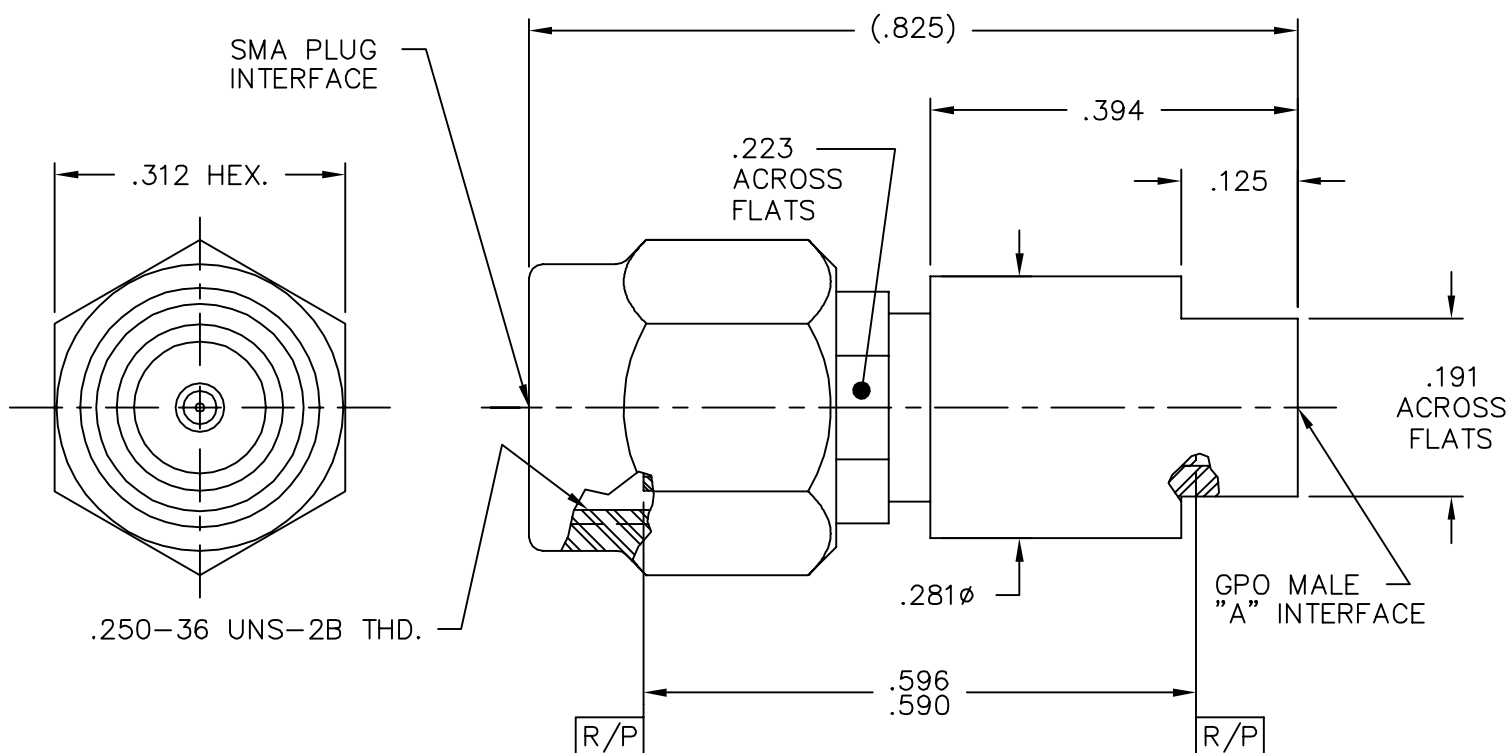


CATALOG NUMBER	"A" INTERFACE
1A3F2-0503-01	FULL DETENT
1A4F2-0503-01	LIMITED DETENT
1A5F2-0503-01	SMOOTH BORE



MATERIAL AND FINISH

SHROUD, HOUSING AND COUPLING NUT: CRES 303; PASSIVATED  
 ADAPTER HOUSING AND CENTER CONTACT: BeCu; GOLD PLATE 50-100 MICRONS OVER NICKEL PLATE 50 MICRONS MIN.  
 DIELECTRICS: VIRGIN PTFE



This drawing and any data contained herein is the property of Corning Gilbert Inc., and constitutes and contains proprietary and confidential information. Neither receipt nor possession of this drawing confers or transfers any right to duplicate, use or disclose any information contained herein except as expressly authorized by Corning Gilbert Inc.

GPO MALE TO SMA  
 PLUG ADAPTER  
 (TAB DETENT)

IDENT CODE:  
 82316

REVISION: B

Corning Gilbert Inc.

SOURCE FILE: MECR# 2087

DWG. NO.: OL-1AXF2-0503-01

ASSY. PROC.: -