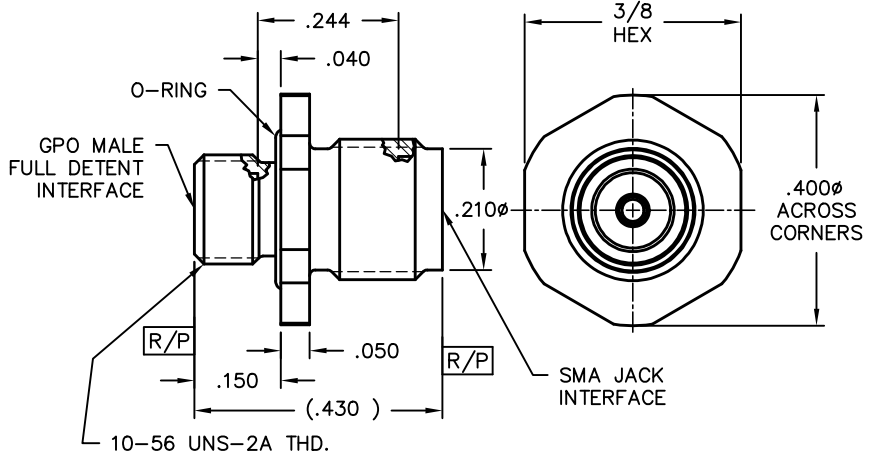


GPO Between Series Adapters

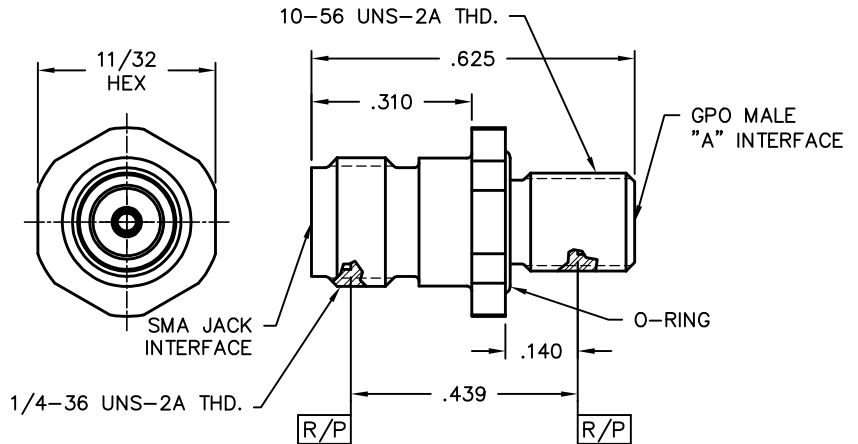
GPO Male to SMA Jack Thread-in

Catalog Number A
 1A3F1-0523-02 FD
 1A4F1-0523-02 LD
VSWR (TYP)
 1.10:1 to 18 GHz, 1.20:1 to 26.5 GHz



GPO Male to SMA Jack Thread-in

Catalog Number A
 1A3F1-0523-05 FD
 1A5F1-0523-05 SB
VSWR (TYP)
 1.10:1 to 18 GHz, 1.20:1 to 26.5 GHz



GPO Male to SMA Jack 2-Hole Flange Mount

Catalog Number A
 1A3F1-0513-03 FD
 1A4F1-0513-03 LD
 1A5F1-0513-03 SB
VSWR (TYP)
 1.10:1 to 18 GHz, 1.20:1 to 26.5 GHz

