

CATALOG NUMBER

A3A6-0543-01

MATERIAL AND FINISH

HOUSING AND SHROUD:

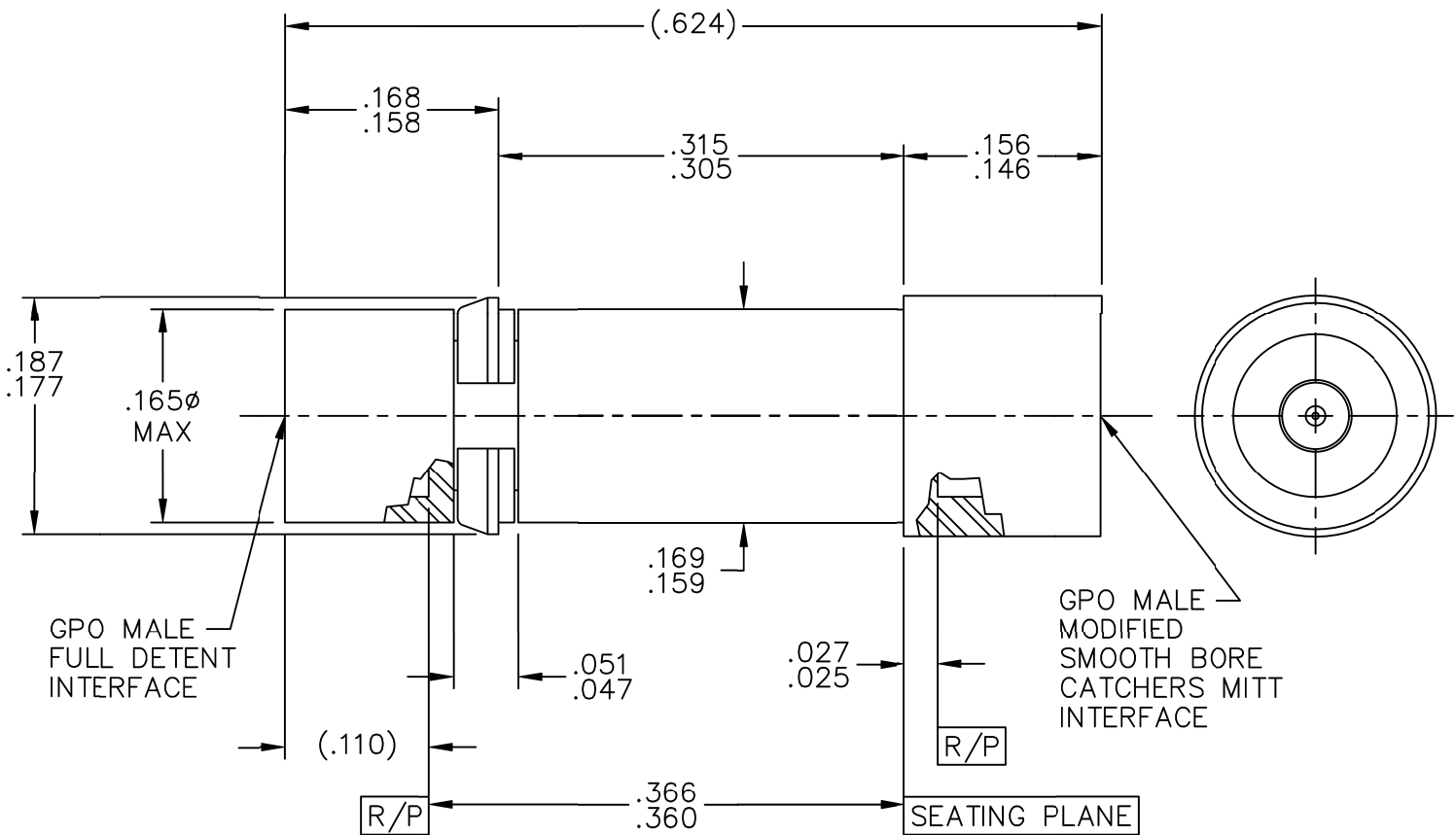
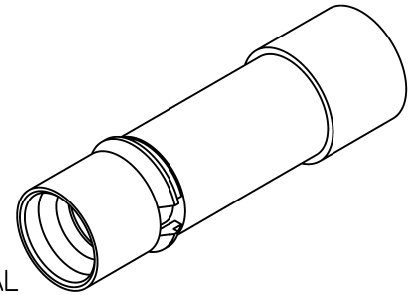
CRES 303; PASSIVATED

CENTER CONTACT AND SNAP RING:

BeCu; GOLD PLATE 75 MICROINCHES TYPICAL
OVER NICKEL PLATE 100 MICROINCHES TYPICAL

DIELECTRICS:

VIRGIN PTFE



This drawing and any data contained herein is the property of Corning Gilbert Inc., and constitutes and contains proprietary and confidential information. Neither receipt nor possession of this drawing confers or transfers any right to duplicate, use or disclose any information contained herein except as expressly authorized by Corning Gilbert Inc.

GPO MALE FULL DETENT TO
GPO MODIFIED SMOOTH BORE
CATCHERS MITT SNAP-IN ADAPTER

IDENT CODE:
82316
REVISION: B

Corning Gilbert Inc.

SOURCE FILE: SK-2591

DWG. NO.: OL-A3A6-0543-01

ASSY. PROC.: -