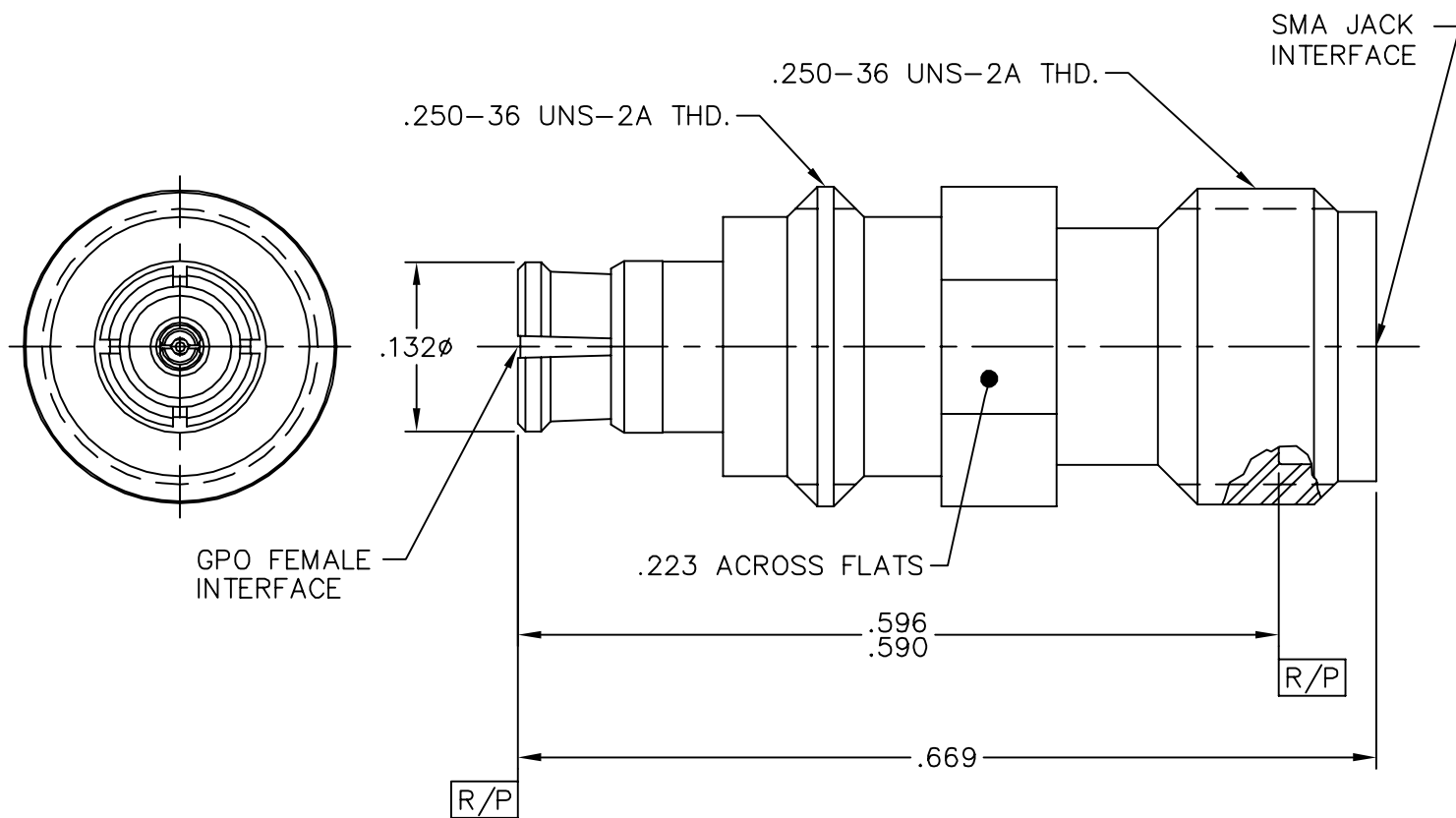
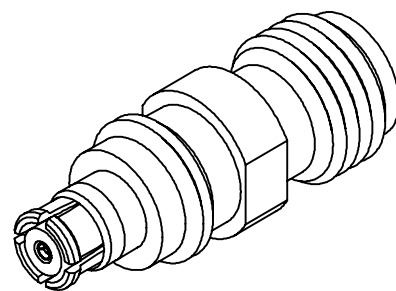


CATALOG NUMBER

1A1F1-0503-01

MATERIAL AND FINISH

HOUSING: CRES 303; PASSIVATED  
 CENTER CONTACT, ADAPTER, AND ANTI-ROCK RING: BeCu; GOLD PLATE 50-100 MICRONS OVER NICKEL PLATE 50 MICRONS MIN.  
 DIELECTRICS: VIRGIN PTFE



This drawing and any data contained herein is the property of Corning Gilbert Inc., and constitutes and contains proprietary and confidential information. Neither receipt nor possession of this drawing confers or transfers any right to duplicate, use or disclose any information contained herein except as expressly authorized by Corning Gilbert Inc.

GPO FEMALE TO  
 SMA JACK  
 ADAPTER

IDENT CODE:  
 82316

REVISION: M

**Corning Gilbert Inc.**

SOURCE FILE: MECR# 2136

DWG. NO.: OL-1A1F1-0503-01

ASSY. PROC.: —