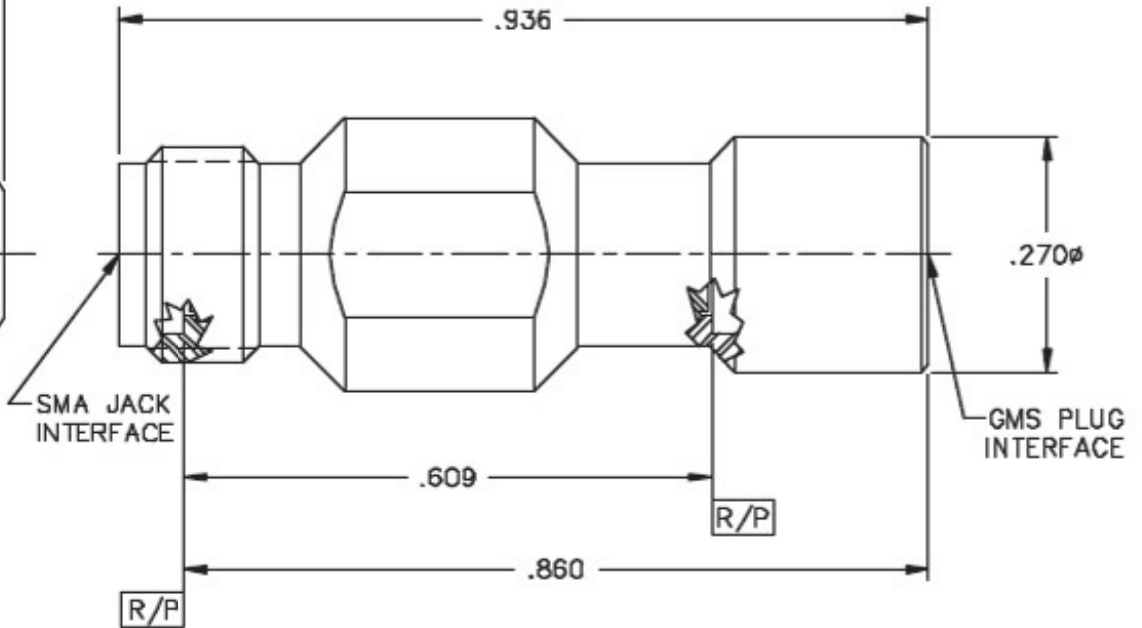
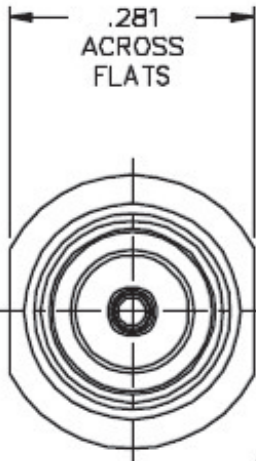


CATALOG NUMBER

00218-300-3

MATERIAL AND FINISH

HOUSINGS: CRES 303; PASSIVATED
 CENTER CONTACT: BeCu; GOLD PLATE 50-100 MICRONS OVER NICKEL PLATE 50 MICRONS MIN.
 DIELECTRICS: VIRGIN PTFE (TEFLON)



This drawing and any data contained herein is the property of Corning Gilbert Inc., and constitutes and contains proprietary and confidential information. Neither receipt nor possession of this drawing confers or transfers any right to duplicate, use or disclose any information contained herein except as expressly authorized by Corning Gilbert Inc.

SMA JACK
 TO GMS PLUG
 ADAPTER

IDENT CODE:
 82316

REVISION: B

Corning Gilbert Inc.

SOURCE FILE: F-525

DWG. NO.: OL-00218-300-3

ASSY. PROC.: -