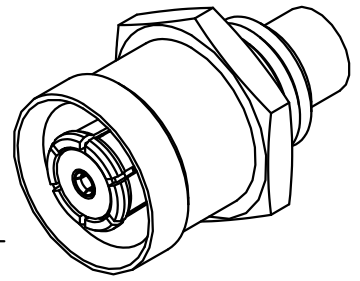
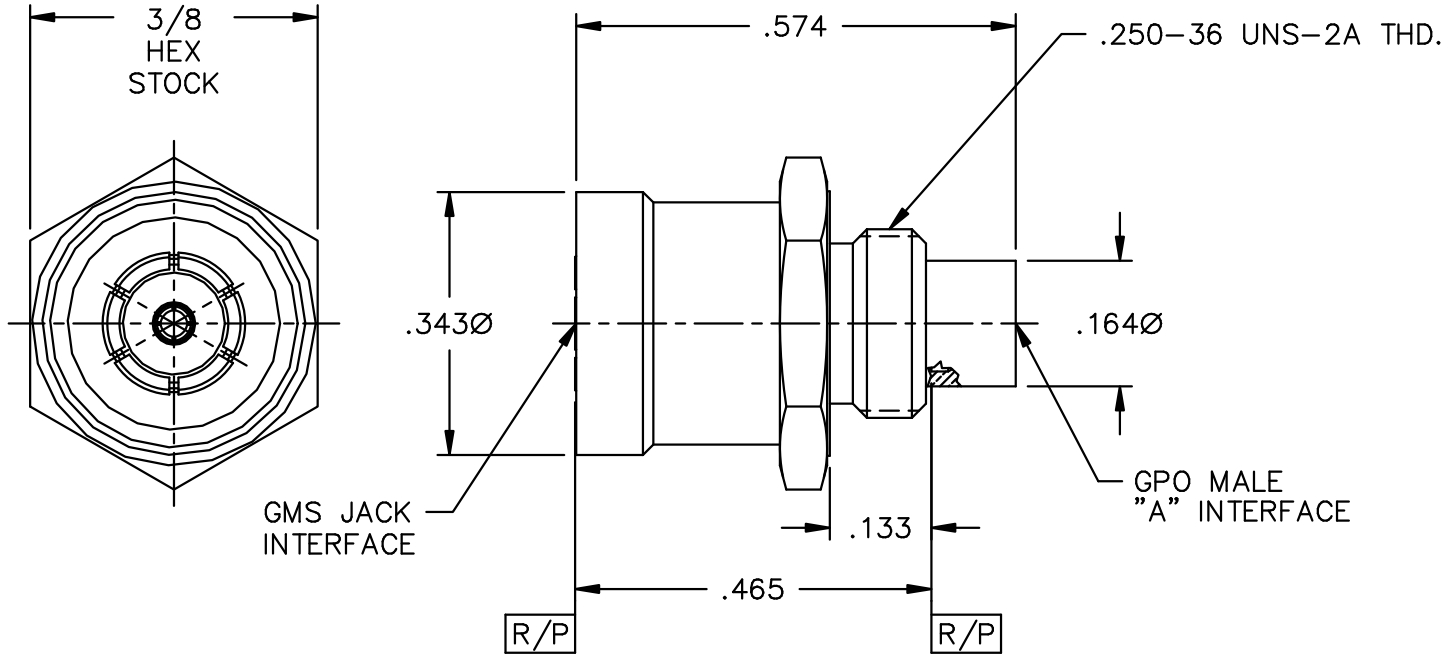


| CATALOG NUMBER | "A" INTERFACE |
|----------------|----------------|
| 1A3H1-0521-01 | FULL DETENT |
| 1A4H1-0521-01 | LIMITED DETENT |
| 1A5H1-0521-01 | SMOOTH BORE |

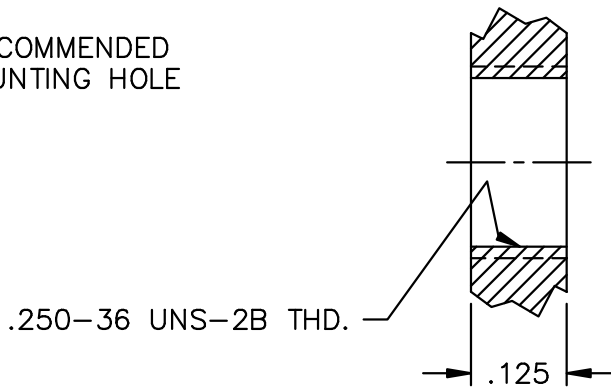


MATERIAL AND FINISH

GMS HOUSING: CRES 303; PASSIVATED
 CENTER CONTACT AND JACK HOUSING: BeCu; GOLD PLATE 75 MICROINCHES TYPICAL OVER NICKEL PLATE 100 MICROINCHES TYPICAL
 DIELECTRICS: VIRGIN PTFE



RECOMMENDED MOUNTING HOLE



This drawing and any data contained herein is the property of Corning Gilbert Inc., and constitutes and contains proprietary and confidential information. Neither receipt nor possession of this drawing confers or transfers any right to duplicate, use or disclose any information contained herein except as expressly authorized by Corning Gilbert Inc.

GMS JACK THREAD
 MOUNT TO GPO MALE
 ADAPTER (TAB DETENT)

IDENT CODE:
 82316

REVISION: F

Corning Gilbert Inc.

SOURCE FILE: MECR# 2664

DWG. NO.: OL-1AXH1-0521-01

ASSY. PROC.: -