

CATALOG NUMBER

00118-119-3-LD

## MATERIAL AND FINISH

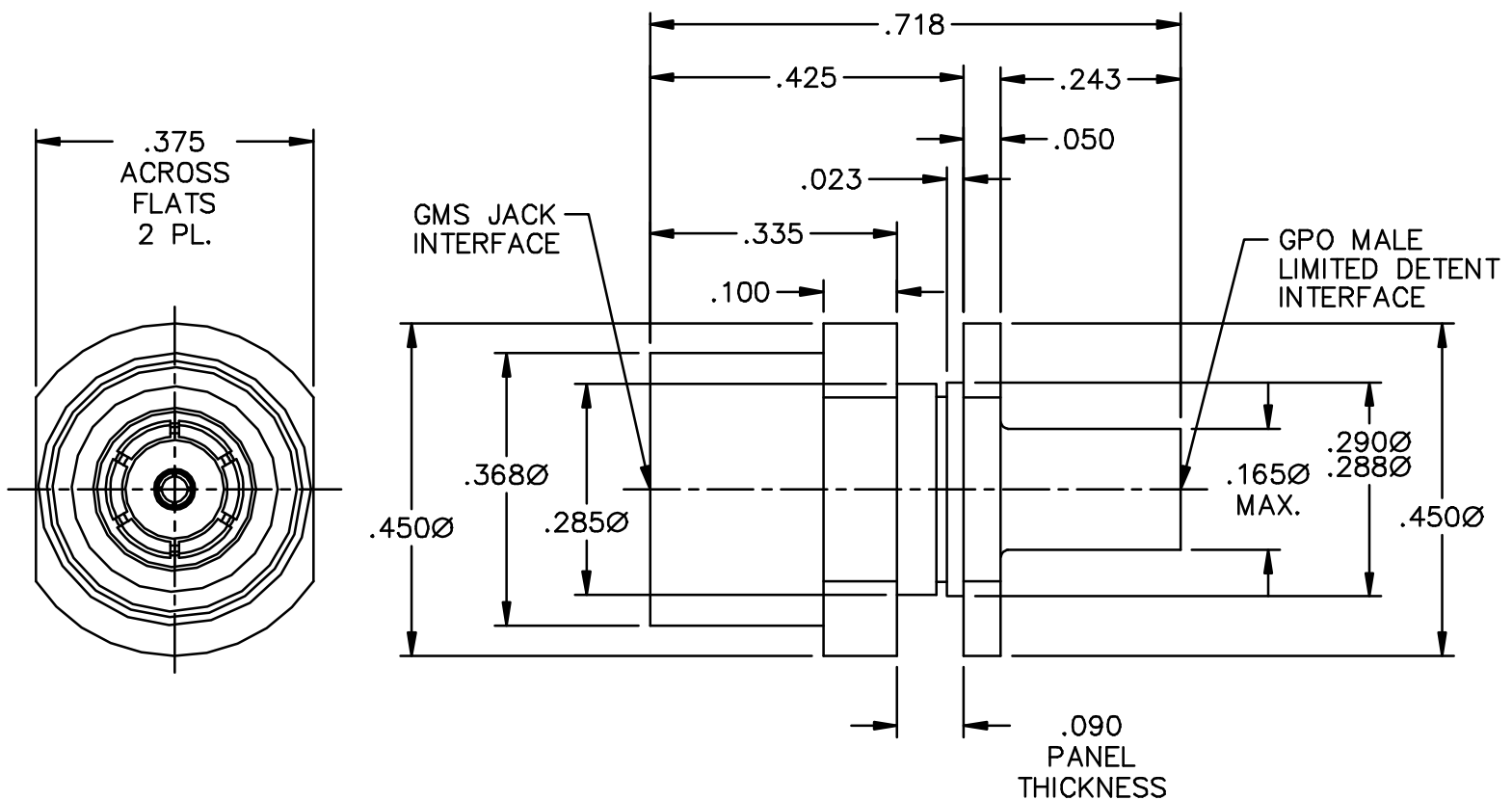
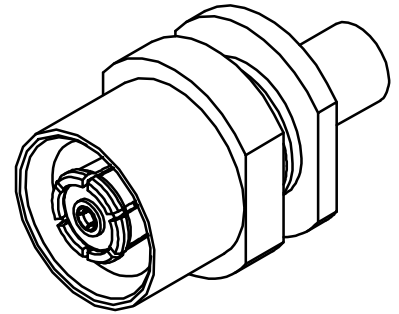
GMS HOUSING:

CRES 303; PASSIVATED

CENTER CONTACT AND  
OUTER CONDUCTOR:BeCu; GOLD PLATE 50-100 MICRONS  
OVER NICKEL PLATE 50 MICRONS MIN.

DIELECTRICS:

VIRGIN PTFE (TEFLON)



This drawing and any data contained herein is the property of Corning Gilbert Inc., and constitutes and contains proprietary and confidential information. Neither receipt nor possession of this drawing confers or transfers any right to duplicate, use or disclose any information contained herein except as expressly authorized by Corning Gilbert Inc.

GPO MALE LIMITED  
DETENT TO GMS JACK  
BULKHEAD MOUNT ADAPTER

IDENT CODE:  
82316

REVISION: A

**Corning Gilbert Inc.**

SOURCE FILE: SK-1640

DWG. NO.: OL-00118-119-3-LD

ASSY. PROC.: -