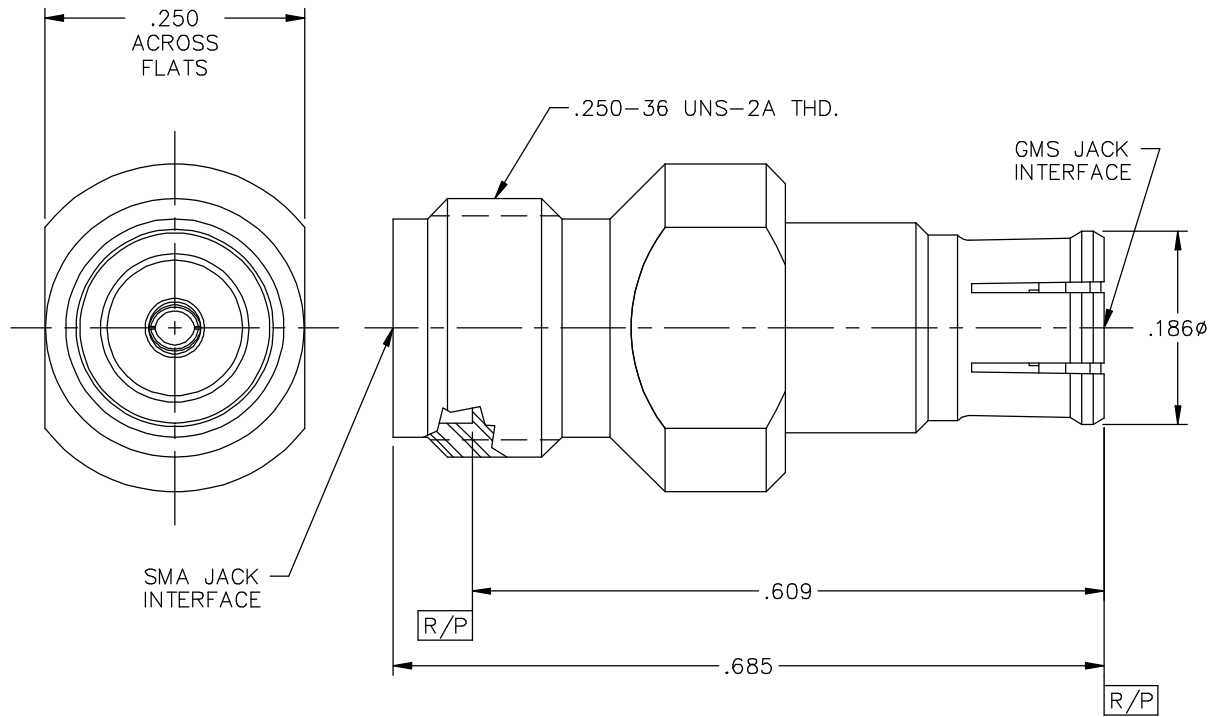
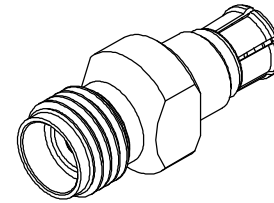


CATALOG NUMBER

00218-101-3

MATERIAL AND FINISH

SMA JACK HOUSING: CRES 303; PASSIVATED
 CENTER CONTACT AND GMS OUTER CONDUCTOR: BeCu; GOLD PLATE 75 MICROINCHES TYPICAL
 OVER NICKEL PLATE 100 MICROINCHES TYPICAL
 DIELECTRICS: VIRGIN PTFE



This drawing and any data contained herein is the property of Corning Gilbert Inc., and constitutes and contains proprietary and confidential information. Neither receipt nor possession of this drawing confers or transfers any right to duplicate, use or disclose any information contained herein except as expressly authorized by Corning Gilbert Inc.

SMA JACK TO GMS JACK
 38999 ADAPTER

IDENT CODE:
 82316

REVISION: C

Corning Gilbert Inc.

SOURCE FILE: MECR# 767

DWG. NO.: OL-00218-101-3

ASSY. PROC.: -