

ENVELOPE / ASSEMBLY DRAWING

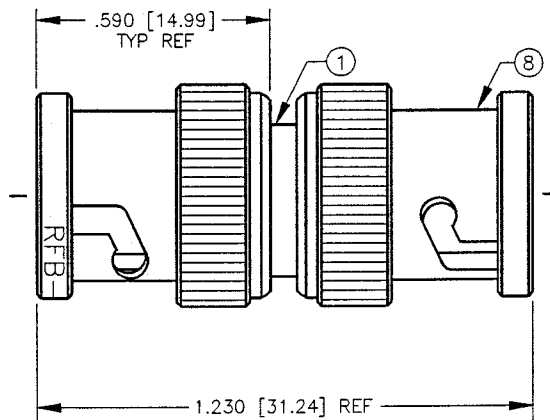
000250

SPECIFICATION CONTROL DRAWING

THIS DRAWING CONTAINS INFORMATION PROPRIETARY TO RF INDUSTRIES, LTD. ANY UNAUTHORIZED USE OF THIS DRAWING IS EXPRESSLY PROHIBITED. ANY VIOLATION IS PUNISHABLE UNDER U.S. COPYRIGHT LAWS.

REV	DESCRIPTION	DWN	DATE	APPROVED
A	ENGINEERING RELEASE	CZS	7/14/98	R. RICE

ALL DIMENSIONS ARE REFERENCE ONLY



SPECIFICATIONS:

IMPEDANCE: 50 OHMS
 WORKING VOLTAGE: 500 VRMS @ SEA LEVEL
 FREQUENCY RANGE: 0-4 GHz
 INTERFACE PER MIL-STD-348A, SECTION 301.1

DIMENSIONS ARE IN INCHES AND [MILLIMETERS]

UNLESS OTHERWISE NOTED TOLERANCES ARE:
 DECIMALS DIAMETER

ITEM	DESCRIPTION	QTY	MATERIAL	FINISH
8	SHELL	2	BRASS	NICKEL
7	WASHER	2	BRASS	NICKEL
6	SPRING	2	SK-5	NONE
5	SPLIT LOCK WASHER	2	BRASS	NICKEL
4	GASKET	2	S.I. RUBBER	RED
3	DIELECTRIC	2	TEFLON	NONE
2	PIN	1	BRASS	GOLD
1	BODY	1	BRASS	NICKEL

DRAWN C. ZUNIGA	7/14/98
CHECKED <i>C. Zuniga</i>	7/15/98
ORJ DRAWN C. ZUNIGA	7/14/98
APPROVALS	DATE

RFconnectors
 DIVISION OF RF INDUSTRIES, LTD.

7610 MIRAMAR RD
 SAN DIEGO, CA 92126
 (619)549-6340
 (619)549-6345 FAX

RFB-1133 \ UG491B/U

BNC MALE TO BNC MALE ADAPTER

SIZE A	CABLE GROUP N/A	DWG NO. 8935	REV A
SCALE: 2:1	CAD FILE 13ARC B	SHEET 1 OF 1	