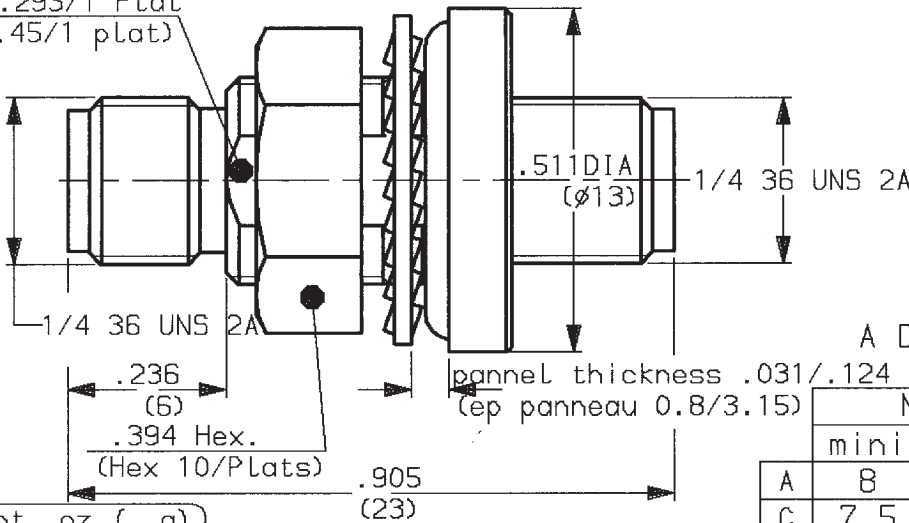
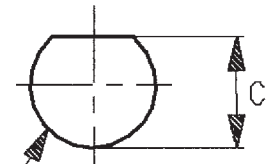


90-0106-341

.293/1 Flat  
(7.45/1 plat)



(MOUNTING HOLE)



	MM		INCH	
	mini	maxi	mini	maxi
A	8	-	.315	*
C	7.5	-	.296	*

weight oz (g)

**CHARACTERISTICS**

NOMINAL IMPEDANCE	50 Ω
FREQUENCY RANGE	0-46 GHz
TEMPERATURE RATING	-65/+165 °C
VSWR	AD Max
RF INSERTION LOSS	0.04 /dB Max
VOLTAGE RATING	350 Vrms Max
DIELECTRIC WITHSTANDING VOLTAGE	750 Vrms mini
INSULATION RESISTANCE	5000 MΩ mini
HERMETIC SEAL	2 cc/s 10-8 Atm.cm <sup>3</sup> /s
LEAKAGE (pressurized only)	AD psi MPa

**STANDARDISATION**

**CABLE RETENTION**

**CENTER CONTACT RETENTION**

Axial force - mating end 5.94 Lb mini  
27 N

Axial force - opposite end 5.94 Lb mini  
27 N

Torque (Min) NA Inch.cm  
cm.N

**RECOMMENDED TORQUES**

Mating	-	Inch.Lb cm.N
Panel nut	15.045	Inch.Lb cm.N
Clamp nut	NA	Inch.Lb cm.N

**CONSTRUCTION**

CONNECTOR PARTS	MATERIALS	FINISH
BODY	STAINLESS STEEL	GOLD OVER NICKEL
OUTER CONTACT	STAINLESS STEEL	GOLD OVER NICKEL
CENTER CONTACT	BERYLLIUM COPPER	GOLD OVER NICKEL
INSULATORS	KAPTON	-
NUT	BRASS	GOLD OVER NICKEL
WASHER	BRONZE	GOLD OVER NICKEL
GASKET	FLUOROCARBON RUBBER	-
-	-	-
-	-	-

ISSUE	REVISION No	DESCRIPTION	BY	DATE
9204	91-11-013	Modified soldering hole	BAFFERT JM	22-01-92

Initiated on 09-AUG-91

Superseded on

The information given here is subject to change without notice. Design changes may be in order to improve the product.

