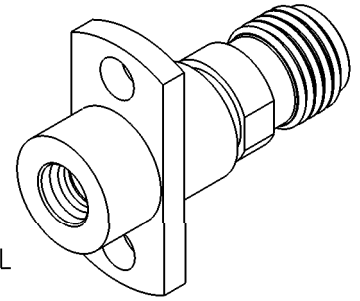
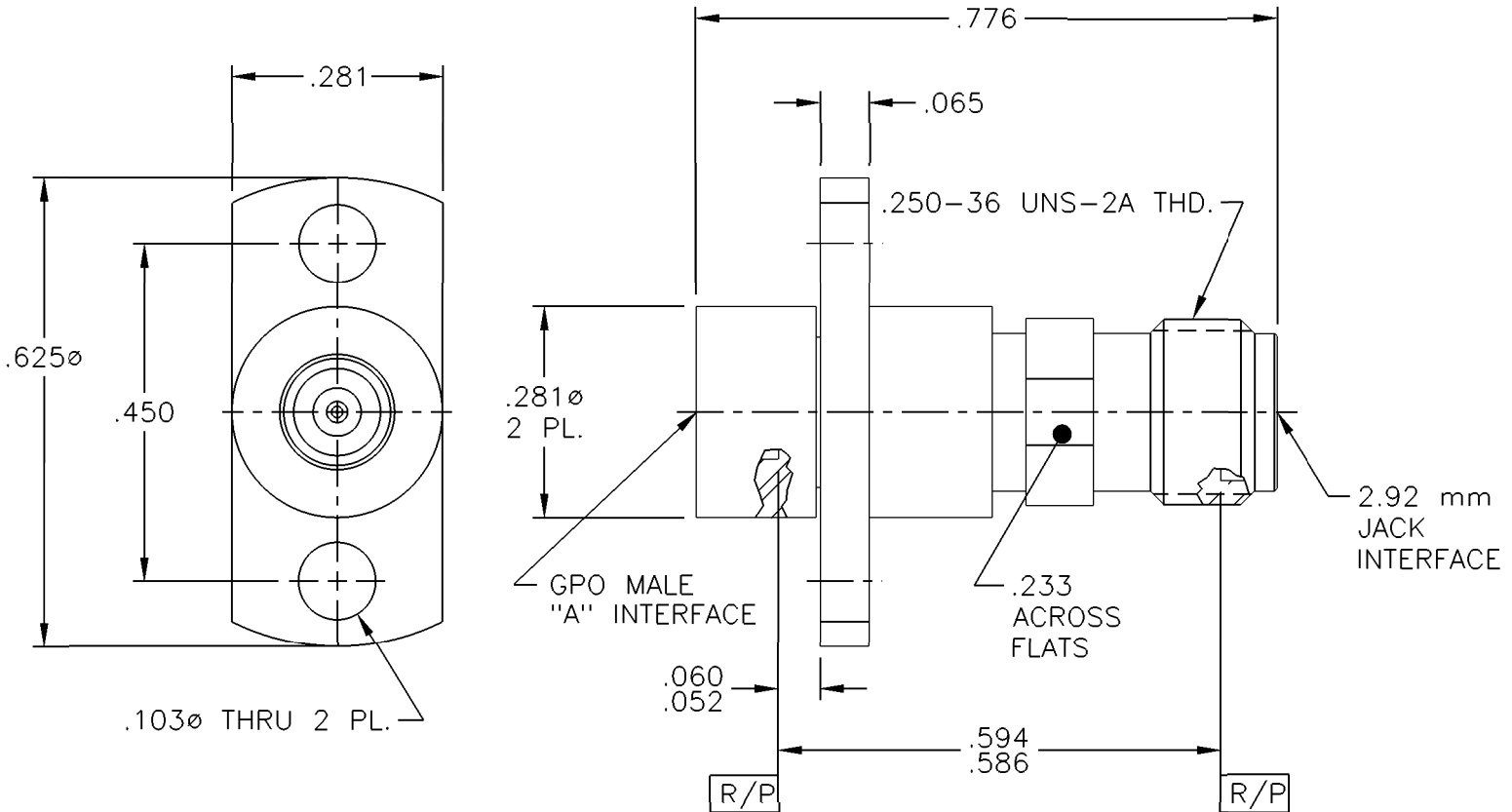


CATALOG NUMBER	"A" INTERFACE
1A3D1-0513-01	FULL DETENT
1A4D1-0513-01	LIMITED DETENT
1A5D1-0513-01	SMOOTH BORE



MATERIAL AND FINISH

ADAPTER SHROUD: CRES 303; PASSIVATED  
 CENTER CONTACT, GPO HOUSING, AND 2.92 mm JACK HOUSING: BeCu; GOLD PLATE 75 MICROINCHES TYPICAL OVER NICKEL PLATE 100 MICROINCHES TYPICAL  
 DIELECTRIC: VIRGIN PTFE



This drawing and any data contained herein is the property of Corning Gilbert Inc., and constitutes and contains proprietary and confidential information. Neither receipt nor possession of this drawing confers or transfers any right to duplicate, use or disclose any information contained herein except as expressly authorized by Corning Gilbert Inc.

GPO MALE (TAB DETENT)  
 2 HOLE FLANGE MOUNT  
 TO 2.92 mm JACK ADAPTER

IDENT CODE:  
 82316

REVISION: J

**Corning Gilbert Inc.**

SOURCE FILE: MECR# 2440

DWG. NO.: OL-1AXD1-0513-01

ASSY. PROC.: -