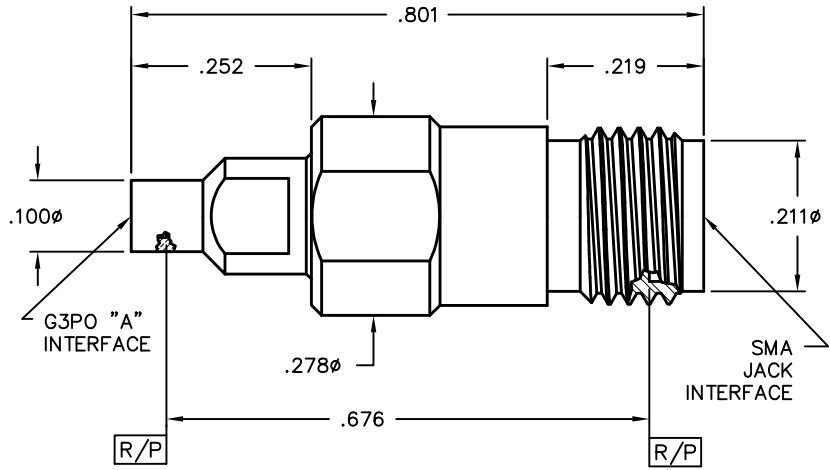


## G3PO Adapters

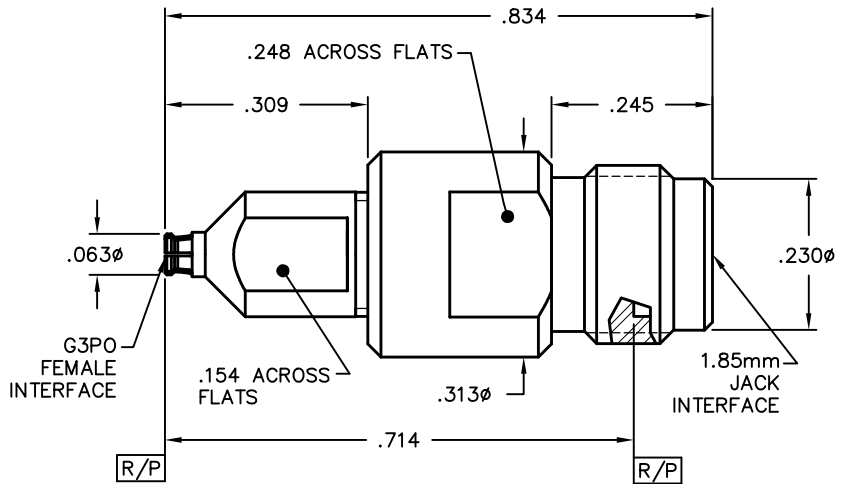
### G3PO Male to SMA Jack

<b>Catalog Number</b>	<b>A</b>
1R3F1-0509-01	FD
1R5F1-0509-01	SB
<b>VSWR (TYP)</b>	
1.20:1 to 18 GHz, 1.30:1 to 26 GHz	



### G3PO Female to 1.85mm Jack Adapter

<b>Catalog Number</b>	
1R1M1-0509-01	
<b>VSWR (TYP)</b>	
1.15:1 to 26.5 GHz, 1.35:1 to 40 GHz	



### G3PO Male to 1.85mm Plug Adapter

<b>Catalog Number</b>	<b>A</b>
1R3M2-0503-01	FD
1R5M2-0503-01	SB
<b>VSWR (TYP)</b>	
1.15:1 to 26.5 GHz, 1.35:1 to 40 GHz	

