

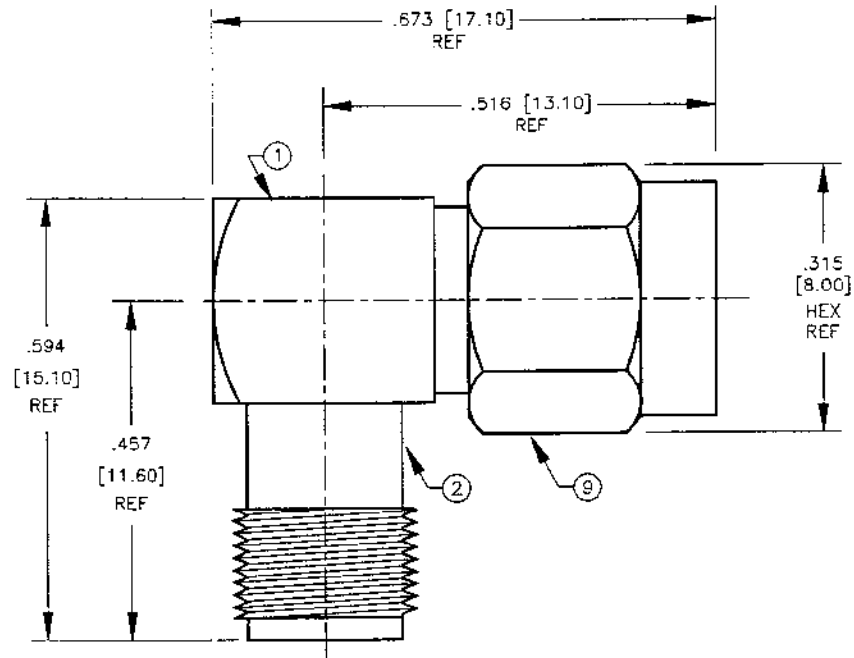
# ENVELOPE / ASSEMBLY DRAWING

005974

## SPECIFICATION CONTROL DRAWING

THIS DRAWING CONTAINS INFORMATION PROPRIETARY TO RF INDUSTRIES, LTD. ANY UNAUTHORIZED USE OF THIS DRAWING IS EXPRESSLY PROHIBITED. ANY VIOLATION IS PUNISHABLE UNDER U.S. COPYRIGHT LAWS.

REV	DESCRIPTION	DWN	DATE	APPROVED
A	ENGINEERING RELEASE	KMM	9/3/96	R. RICE



### SPECIFICATIONS:

IMPEDANCE: 50 OHMS  
 WORKING VOLTAGE: 335 VRMS @ SEA LEVEL  
 FREQUENCY RANGE: 0-12.4 GHz

ITEM	DESCRIPTION	QTY	MATERIAL	FINISH
10	END CAP	1	BRASS	GOLD
9	SHELL	1	BRASS	GOLD
8	RETAINING RING	1	BeCu	NONE
7	GASKET	1	S.I. RUBBER	RED
6	DIELECTRIC	1	TEFLON	NONE
5	DIELECTRIC	1	TEFLON	NONE
4	CONTACT	1	BeCu	GOLD
3	PIN	1	BRASS	GOLD
2	FEMALE BODY	1	BRASS	GOLD
1	MALE BODY	1	BRASS	GOLD

DIMENSIONS ARE IN INCHES AND [MILLIMETERS]

UNLESS OTHERWISE NOTED TOLERANCES ARE:

DECIMALS DIAMETER

DRAWN	K. MAXWELL	9/3/96
CHECKED	<i>S. Zin</i>	9/10/96
OR DRAWN	K. MAXWELL	9/3/96

APPROVALS DATE

**RFconnectors**  
 DIVISION OF RF INDUSTRIES, LTD.

7610 MIRAMAR RD  
 SAN DIEGO, CA 92126  
 (619)549-6340  
 (619)549-6345 FAX

## RSA-3402-1

SMA FEMALE TO SMA MALE R/A ADAPTER

SIZE	CABLE GROUP	DWG NO.	REV
A	N/A	8671	A
SCALE: 4:1		CAD FILE 13ARC B	SHEET 1 OF 1