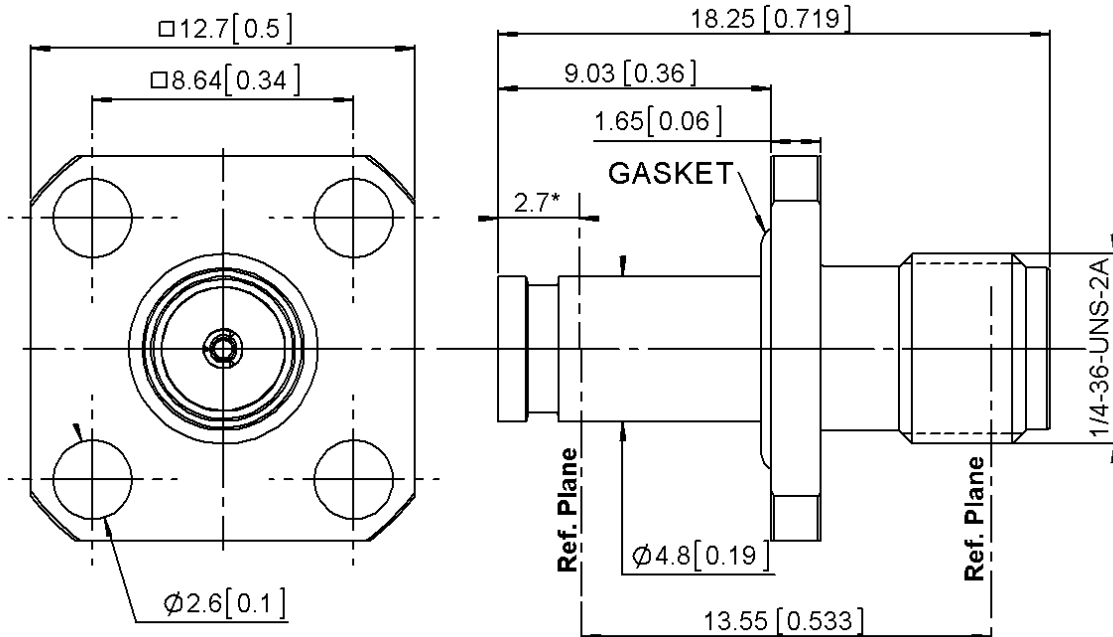
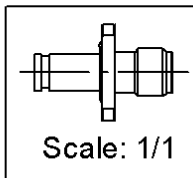


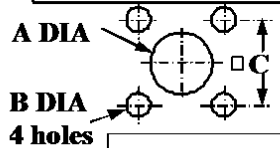
PAGE 1/2	ISSUE 15-07-16A	SERIES ADAPT	PART NUMBER R191849010
----------	-----------------	--------------	------------------------



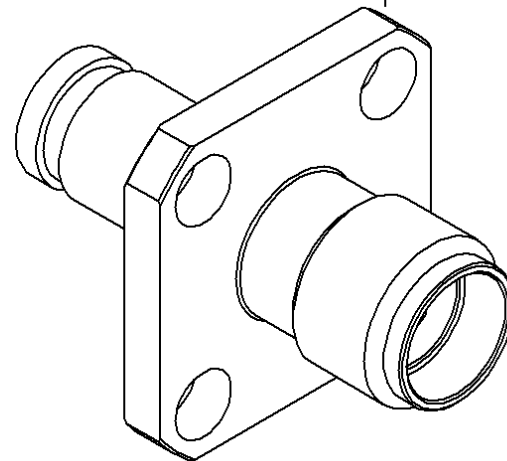
*2.7 min for locking



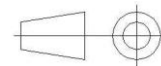
PANEL CUT OUT



	mm	
	Maxi	mini
A	4.95	4.85
B	2.7	2.6
C	8.69	8.59



All dimensions are in mm.



COMPONENTS	MATERIALS	PLATING (µm)
Body	BRASS	NPGR
Center contact	BERYLLIUM COPPER	GOLD OVER NICKEL
Outer contact		
Insulator	PTFE	
Gasket	SILICONE RUBBER	
Others parts		
-	-	-
-	-	-

PAGE 2/2	ISSUE 15-07-16A	SERIES ADAPT	PART NUMBER R191849010
-----------------	------------------------	---------------------	-------------------------------

PACKAGING

Standard	Unit	Other
1	Contact us	Contact us

ELECTRICAL CHARACTERISTICS

Impedance		50	Ω
Frequency		0-18	GHz
VSWR	1.17	+	0.0000 x F(GHz) Maxi
Insertion loss		0.12	\sqrt{F} (GHz) dB Maxi
RF leakage	- (100	- F(GHz) dB Maxi
Voltage rating		335	Veff Maxi
Dielectric withstanding voltage		1000	Veff mini
Insulation resistance		5000	M Ω mini

ENVIRONMENTAL

Operating	-65/+165	$^{\circ}\text{C}$
Hermetic seal	NA	Atm.cm3/s
Panel leakage	IP67	

MECHANICAL CHARACTERISTICS

Center contact retention			
Axial force – Mating End		6.7	N mini
Axial force – Opposite end		6.7	N mini
Torque			N.cm mini
Recommended torque			
Mating	SMA	0	N.cm
	SMP	0	N.cm
		0	N.cm
Panel nut			N.cm
Mating life		500	Cycles mini
Weight		3.4600	g

SPECIFICATION

OTHER CHARACTERISTICS