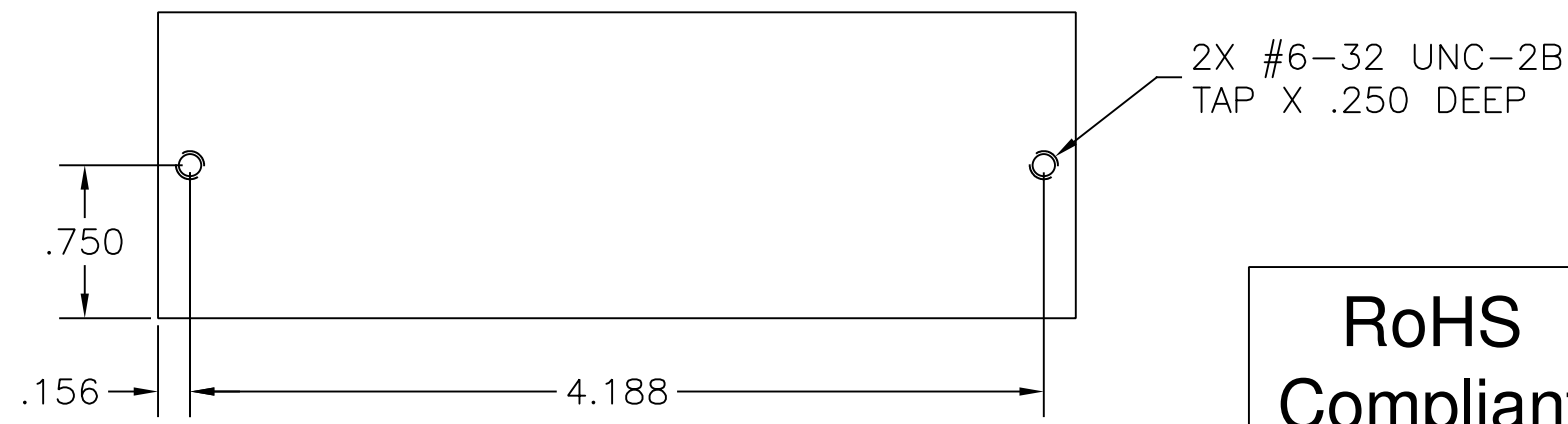
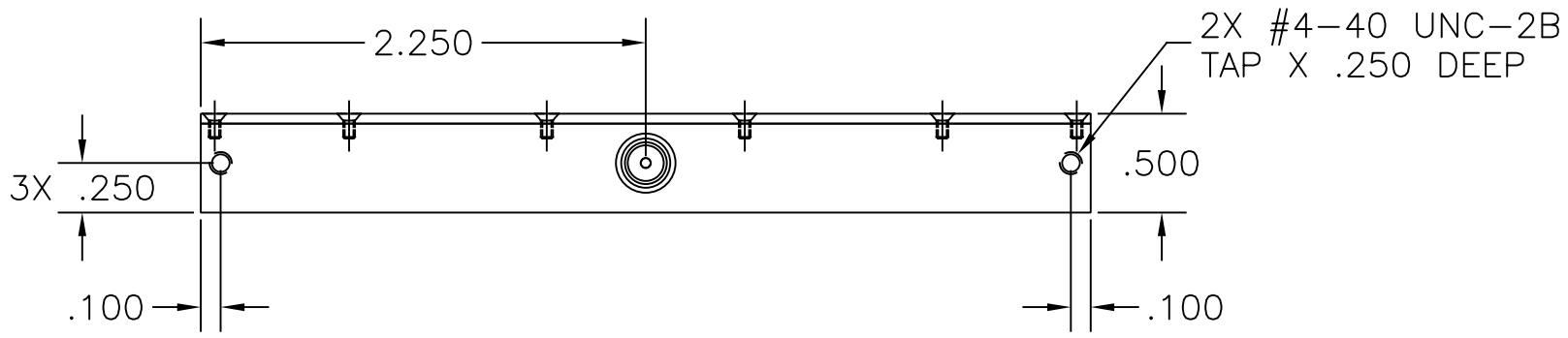
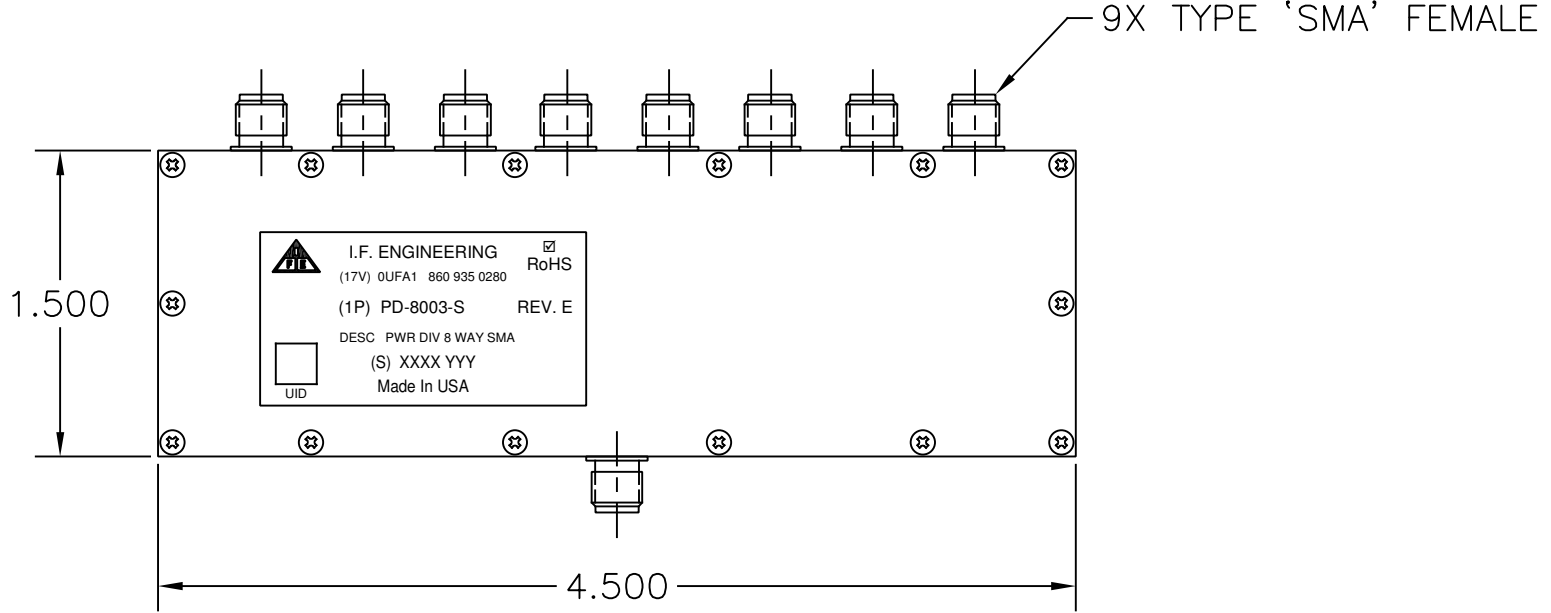
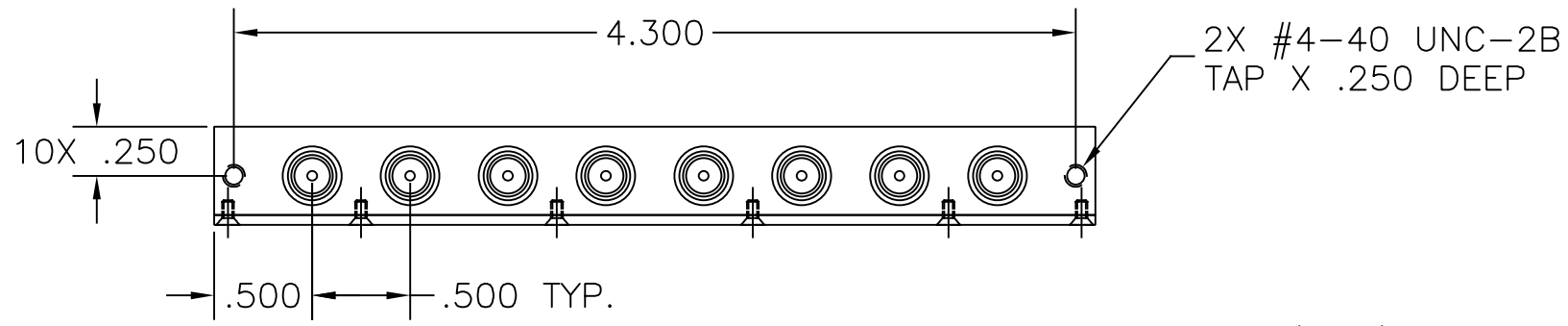


THIS DOCUMENT CONTAINS PROPRIETARY INFORMATION. ANY REPRODUCTION, DISCLOSURE, OR USE OF ITS CONTENTS IS EXPRESSLY PROHIBITED EXCEPT AS AUTHORIZED BY I.F. Engineering Corp

REVISION			
LTR.	DESCRIPTION	DATE	APPVL.
A	VSWR IN	10-21-02	-
B	CH SIZE	3-7-05	CL
C	REDRAWN/UPDATED FORMAT; FINISH CHANGED	11/2/07	MJD
D	PER ECN 1009005: 'RoHS Compliant' LOGO ADDED	3/18/10	MJD
E	ECO #1729001	7/18/17	MJD



RoHS Compliant

ELECTRICAL SPECIFICATION	
EIGHT WAY POWER DIVIDER	
FREQUENCY RANGE (MHZ)	10-500
ISOLATION (dB) MIN.	30
INSERTION LOSS (dB) MAX.	2.0
AMPLITUDE BAL. (dB) MAX.	±0.3
PHASE BAL. (°) MAX.	±3.0
VSWR MAX.	
IN	1.4:1
OUT	1.3:1
IMPEDANCE (OHMS) NOM.	50
TEMPERATURE RANGE (°C)	0 TO +70

NOTE: INSERTION LOSS DOES NOT INCLUDE THEORETICAL LOSS

NOTES:

1. MATERIAL: CHASSIS & COVER ALUMINUM
2. FINISH: CLEAR CHROMATE (RoHS COMPLIANT)
3. SPECIFICATION SUBJECT TO CHANGE WITHOUT NOTICE

UNLESS OTHERWISE SPECIFIED DRAWING PRACTICES PER ASME Y14.100		DRAWN DATE LCF 8-5-02		 3 FOSHAY ROAD, DUDLEY MA 01571			
TOLERANCES ANGLES ±1/2° .XX ±.01 .XXX ±.005		ENGRG APPD DATE CL 4-15-05					
SURFACE ROUGHNESS 63 ✓ REMOVE BURRS SHARP EDGES		MFG APPD DATE EDW 4/15/05		TITLE OUTLINE DRAWING PD-8003-S			
MATERIAL: SEE NOTE 1		QA APPD DATE EDW 4/15/05					
FINISH: SEE NOTE 2		RELEASED DATE CL 4-15-05		SIZE B	CODE IDENT NO. 0UFA1	DRAWING NO. 008-088-181	REV. E
				SCALE N/A	SHEET 1 OF 1		