

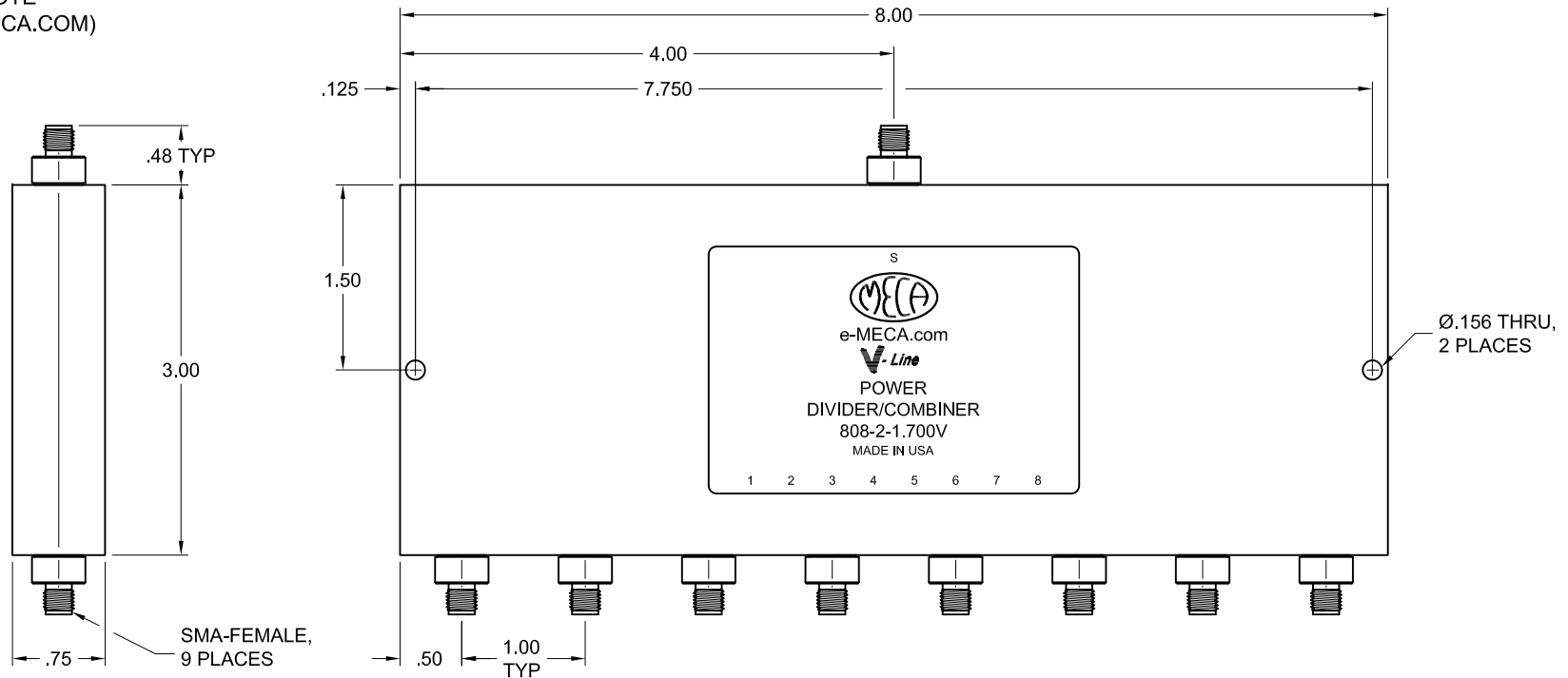
ELECTRICAL SPECIFICATIONS



FREQUENCY RANGE (GHz):	0.698 - 2.700
IMPEDANCE (NOMINAL):	50 Ohms
VSWR: INPUT:	1.30:1 TYP/1.65:1 MAX
OUTPUT:	1.15:1 TYP/1.25:1 MAX
INSERTION LOSS (dB):	1.00 TYP/1.40 MAX
AMPLITUDE BALANCE (MAX):	0.3 dB
ISOLATION (dB):	25 TYP/20 MIN
PHASE BALANCE (MAX):	8 DEGREES
RF POWER (TOTAL MAX):	40 WATTS INPUT WITH LOAD
* (AS DIVIDER ONLY)	VSWR 1.2:1 OR BETTER

* NOTE: SEE APPLICATION NOTE
MAP-801 (WWW.e-MECA.COM)

MECHANICAL SPECIFICATIONS

CONNECTORS:	SMA-FEMALE, STAINLESS STEEL, PASSIVATE
CONNECTOR PINS:	BERYLLIUM COPPER, GOLD PLATE
HOUSING:	ALUMINUM, RoHS COMPLIANT IRIDITE
INSULATORS:	PTFE, VIRGIN ELECTRICAL GRADE
TEMPERATURE:	-55°C TO +85°C
WEIGHT (NOMINAL) :	1.48 lbs



G		SEE DCN #121129	11/30/12	M.O.C.	CC	MATERIAL: SEE ABOVE	UNLESS OTHERWISE SPECIFIED, DIMENSIONS ARE IN INCHES	 ELECTRONICS, INC. DENVER, NEW JERSEY e-MECA.com				
F		SEE DCN #120423-3	05/09/12	NL	RR							
E		SEE DCN #110715	09/07/11	M.O.C.	JAS	FINISH: SEE ABOVE	TOLERANCES 2 PLACES: ±.02 3 PLACES: ±.010 ANGLES: N/A	 8-WAY POWER DIVIDER/COMBINER				
D		SEE DCN #080215-4	02/18/08	GQ	RR							
C		SEE DCN #080102-1	01/03/08	GQ	RR	DRAWN: GQ	DATE: 08/21/07	TIR: N/A				
B		SEE DCN #071002-1	10/02/07	GQ	RR							
A		NEW	08/21/07	GQ	RR	APPROVED: RR	DATE: 08/21/07	SCALE: NTS	SIZE A	CAGE CODE NO. 22424	DRAWING NO. 808-2-1.700V	REV G
LTR	PG	DESCRIPTION	DATE	DR	APP							