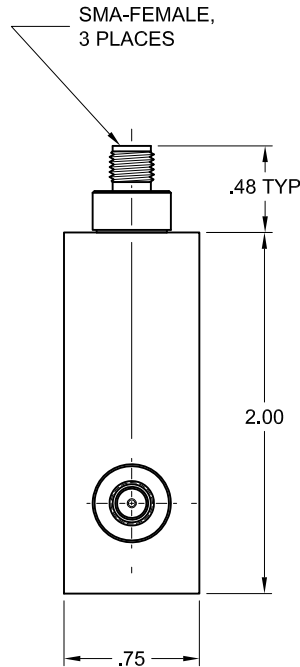


ELECTRICAL SPECIFICATIONS

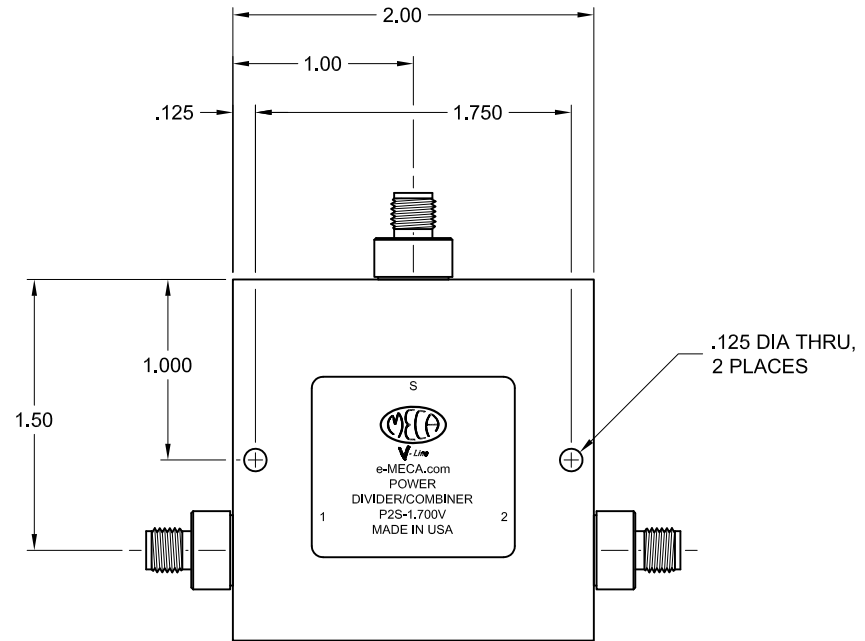
FREQUENCY RANGE (GHz):	0.700-2.700
IMPEDANCE (NOMINAL):	50 OHMS
VSWR: INPUT:	1.25:1 TYP/1.35:1 MAX
OUTPUT:	1.15:1 TYP/1.25:1 MAX
INSERTION LOSS (dB):	0.4 TYP/0.5 MAX
AMPLITUDE BALANCE (MAX):	0.2 dB
PHASE BALANCE (MAX):	3 DEGREES
ISOLATION (dB):	22 TYP/20 MIN
RF POWER (TOTAL MAX):	50 WATTS INPUT WITH LOAD
* (AS DIVIDER ONLY)	VSWR 1.2:1 OR BETTER



* NOTE: SEE APPLICATION NOTE
MAP-801 (www.e-MECA.com)



MECHANICAL SPECIFICATIONS

CONNECTORS:	SMA-FEMALE, STAINLESS STEEL, PASSIVATE
CONNECTOR PINS:	BERYLLIUM COPPER, GOLD PLATE
HOUSING:	ALUMINUM, RoHS COMPLIANT IRIDITE
INSULATORS:	PTFE, VIRGIN ELECTRICAL GRADE
TEMPERATURE:	-55°C TO +85°C
WEIGHT:	3.9 oz



						MATERIAL: SEE ABOVE	UNLESS OTHERWISE SPECIFIED, DIMENSIONS ARE IN INCHES		 ELECTRONICS, INC. DENVER, NEW JERSEY e-MECA.com
						FINISH: SEE ABOVE	TOLERANCES 2 PLACES: ±.02 3 PLACES: ±.010 ANGLES: N/A		
D		SEE DCN #130620	06/24/13	M.O.C.	CC	DRAWN: NL	DATE: 10/25/07	TIR: N/A	 POWER DIVIDER/COMBINER, 2-WAY, IN-PHASE, SMA-FEMALE
C		SEE DCN #090728-7	07/29/09	AC	RR	APPROVED: RR	DATE: 10/25/07	SCALE: NTS	
B		SEE DCN #081117-2	11/20/08	AC	RR			SIZE A	DRAWING NO. P2S-1.700V
A		NEW	10/25/07	NL	RR				REV D
LTR	PG	DESCRIPTION	DATE	DR	APP				