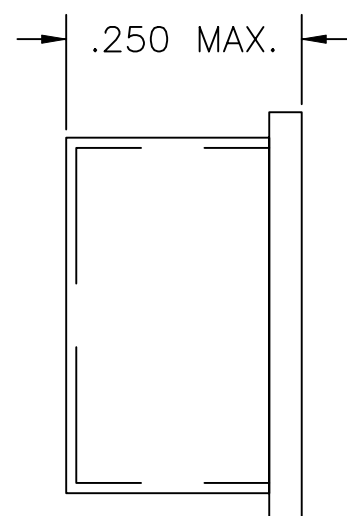
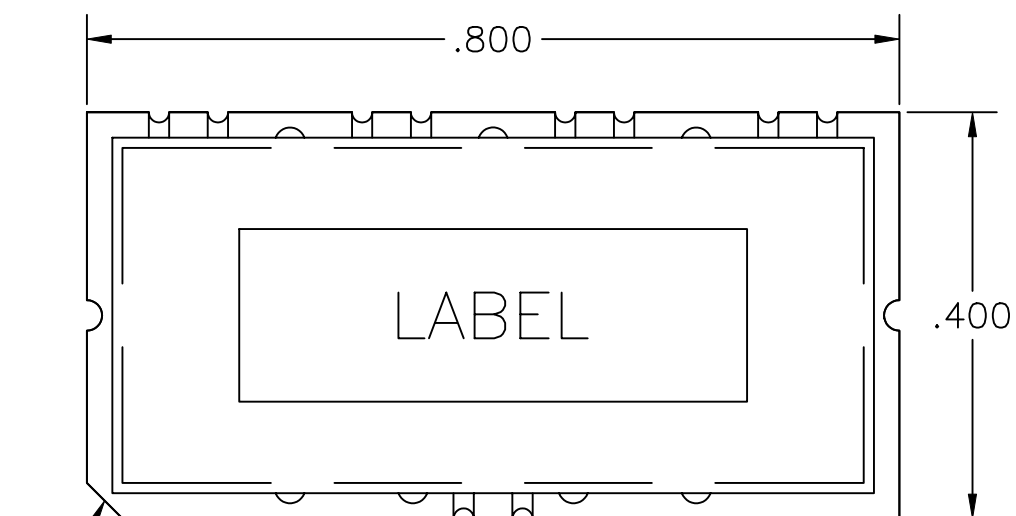
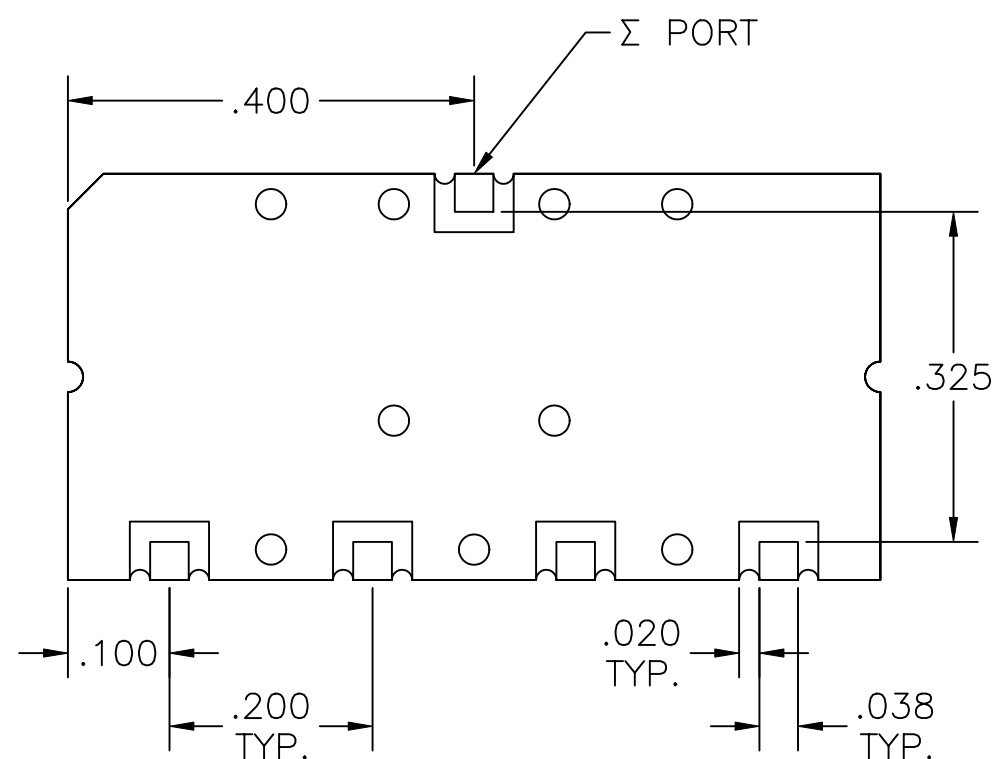


PROPRIETARY DATA OF IF Engineering Corp.
 THIS DOCUMENT CONTAINS PROPRIETARY INFORMATION.
 ANY REPRODUCTION, DISCLOSURE, OR USE OF
 ITS CONTENTS IS EXPRESSLY PROHIBITED EXCEPT AS
 AUTHORIZED BY IF Engineering Corp.

| REVISION | | | |
|----------|-------------|------|--------|
| LTR. | DESCRIPTION | DATE | APPVL. |
| - | PRELIMINARY | - | - |



BEVELED EDGE



PRELIMINARY
 1/29/14

| ELECTRICAL SPECIFICATION FOUR-WAY POWER DIVIDER | | | |
|----------------------------------------------------|------------|---------|--------------|
| OPERATING TEMPERATURE RANGE (°C) | -40 to +85 | | |
| | -40 TO 0°C | @+25°C | +50 TO +85°C |
| FREQUENCY RANGE (MHZ) | 20-3000 | 20-3000 | 20-3000 |
| ISOLATION (dB) MIN. | 16 | 18 | 16 |
| INSERTION LOSS (dB) MAX. | 2.25 | 2.25 | 2.5 |
| AMPLITUDE BAL. (dB) MAX. | ±0.5 | ±0.3 | ±0.3 |
| PHASE BAL. (°) MAX. * | ±2.5 | ±2.5 | ±2.5 |
| VSWR MAX. | | | |
| IN | 1.5:1 | 1.5:1 | 1.5:1 |
| OUT | 1.5:1 | 1.5:1 | 1.5:1 |
| IMPEDANCE (OHMS) NOM. | 50 | 50 | 50 |

* PHASE BALANCE MATCHED TO GOLDEN STANDARD PART AND TO ITSELF

NOTE:
 SPECIFICATION SUBJECT TO CHANGE WITHOUT NOTICE.

**RoHS
Compliant**

| | | | |
|-----------------------------------------------------------------|-----------------------------|--------------|-----------------|
| UNLESS OTHERWISE SPECIFIED DRAWING PRACTICES PER MIL-STD-100 | | DRAWN MJD | DATE 1/29/14 |
| TOLERANCES .XX ±.01 | ANGLES ±1/2° .XXX ±.005 | ENGRG APPD | DATE |
| SURFACE ROUGHNESS 63 | REMOVE BURRS SHARP EDGES | MFG APPD | DATE |
| X | | QA APPD | DATE |
| | | RELEASED | DATE |

| | | | |
|----------------------------------------------------------|--------------------------------|----------------------------|-----------|
| IFE ENGINEERING 3 FOSHAY ROAD, DUDLEY MA 01571 | | | |
| TITLE OUTLINE DRAWING PD-4008-216-SM | | | |
| SIZE B | CODE IDENT NO. OUFA1 | DRAWING NO. 004-216-181 | REV. - |
| SCALE N/A | | SHEET 1 OF 1 | |