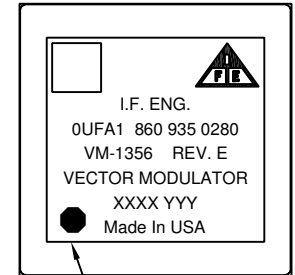
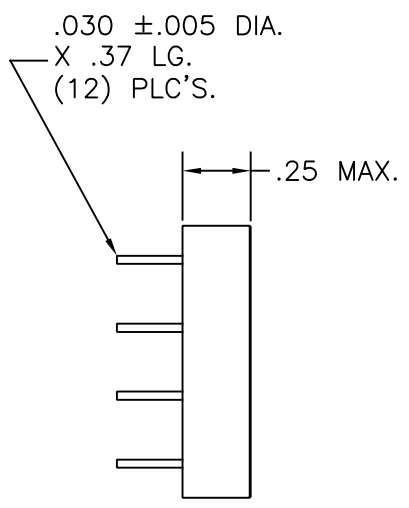
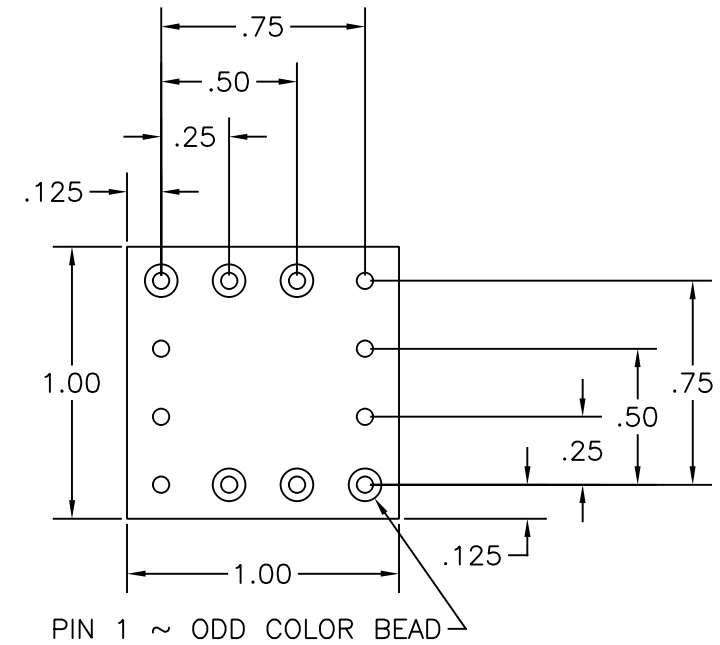


THIS DOCUMENT CONTAINS PROPRIETARY INFORMATION. ANY REPRODUCTION, DISCLOSURE, OR USE OF ITS CONTENTS IS EXPRESSLY PROHIBITED EXCEPT AS AUTHORIZED BY I.F. Engineering Corp

PIN NO.	FUNCTION
1	RF INPUT
2	Q CONTROL ±10V DC
3	-15.000 V DC BIAS
7	RF OUTPUT
8	+15.000 V DC BIAS
9	I CONTROL ±10V DC
4,5,6,10,11,12	GROUND

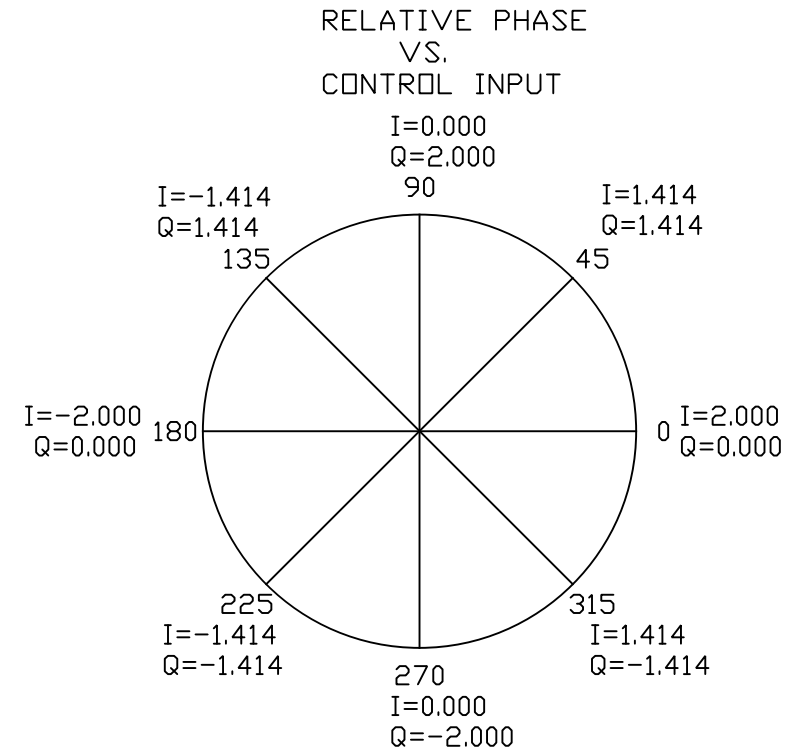
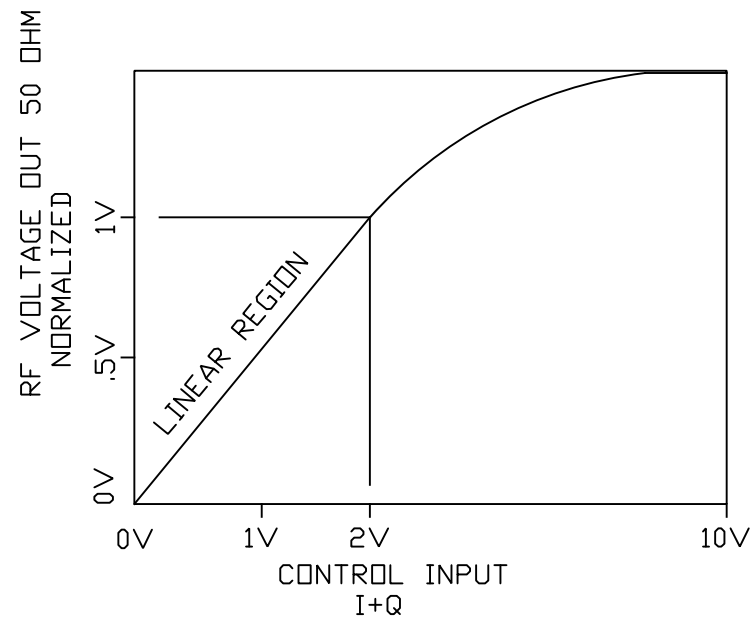
REVISION			
LTR.	DESCRIPTION	DATE	APPVL.
A	Correct Specification	5/31/00	LCF
B	Correct Specification	3/21/01	LCF
C	Address / Label Up	5/19/04	AFB
D	CHANGED PER ECN 1035007	9/10/10	MJD
E	ECO #1701003	1/5/17	MJD



PIN 1 INDICATOR

MODULATOR, COMPLEX PHASOR/VECTOR
ELECTRICAL SPECIFICATIONS

FREQ. RANGE (MHz)	13.56±100KHz
RF INPUT POWER (dBm) NOM.	0
INSERTION LOSS (dB) NOM.	
SATURATED $\sqrt{I^2+Q^2}=10V$	10
LINEAR RANGE $\sqrt{I^2+Q^2}=2V$	15
AMPLITUDE BALANCE (dB) MAX. $\sqrt{I^2+Q^2}=2V$	±1.0
ATTENUATION RANGE (dB)	0-40
NULL DEPTH (dB) MIN	50
NULL OFFSET (mv) MAX.	75
PHASE ACCURACY (DEG) MAX.	±4.0°
PHASE DEVIATION FROM 25°C	±1.5°
NOMINAL CONDITION	$\sqrt{I^2+Q^2}=2V$
BIAS VOLTAGES (VDC)	±15.000 @ 25 ma MAX.
CONTROL PORT (DC COUPLED)	
FREQUENCY RANGE	DC-30 KHz
CONTROL RANGE MAX.	±10V
LINEAR	±2V @5ma dc max.
VSWR MAX.	1.8:1
IMPEDANCE (OHMS)	50
OPERATING TEMP.	+10 TO +45°C



UNLESS OTHERWISE SPECIFIED DRAWING PRACTICES PER ASME Y14.100		DRAWN LCF	DATE 5/30/00
TOLERANCES .XX ±.01	ANGLES ±1/2° .XXX ±.005	ENGRG APPD AFB	DATE 10/21/04
SURFACE ROUGHNESS 63 ✓	REMOVE BURRS SHARP EDGES	MFG APPD EDW	DATE 10/21/04
MATERIAL: SEE NOTE 1		QA APPD EDW	DATE 10/21/04
FINISH: SEE NOTE 2		RELEASED LCF	DATE 5/30/00

I.F.E. ENGINEERING
3 FOSHAY ROAD, DUDLEY MA 01571

TITLE
OUTLINE DRAWING
VM-1356

SIZE B	CODE IDENT NO. OUFA1	DRAWING NO. 350-021-181	REV. E
SCALE N/A	SHEET 1 OF 1		

NOTES:

- MATERIAL: HEADER, PINS & COVER: KOVAR
- FINISH: HEADER & PINS: GOLD PLATE PER MIL-G-45204 TYPE 1, CLASS 1. COVER: NICKEL PLATE PER QQ-N-290A3
- LABEL: WHERE XXXX IS DATECODE, YYY IS S/N
- SPECIFICATION SUBJECT TO CHANGE WITHOUT NOTICE