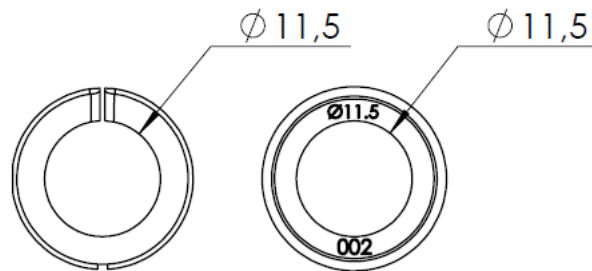
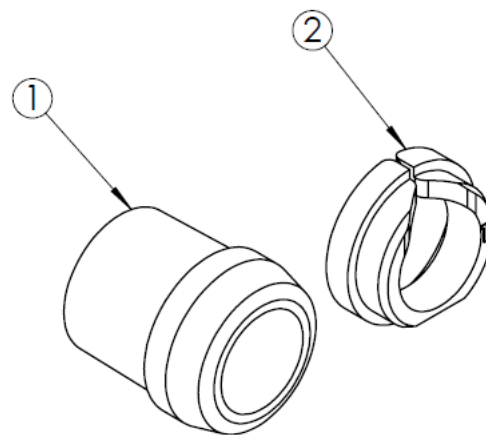
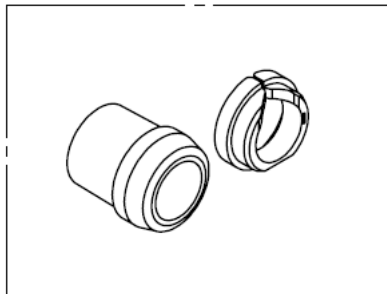


PAGE 1/2	ISSUE 31-01-19A	SERIES OCTIS	PART NUMBER OCTI090506
----------	-----------------	--------------	------------------------



inner diameters are given for reference only

**Packing configuration**



All dimensions are in mm. Tolerances according ISO 2768 m-H.

DESCRIPTION

REP	COMPONENT	MATERIALS	PLATING
1	Split rubber gland Ø11.5	SILICONE	-
2	Tightening cone	NYLON	-

PAGE 2/2	ISSUE 31-01-19A	SERIES OCTIS	PART NUMBER OCTI090506
----------	-----------------	--------------	------------------------

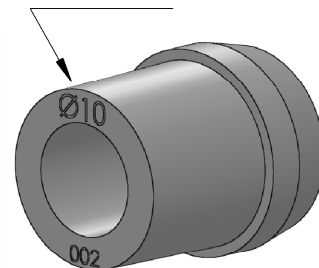
**GENERAL CHARACTERISTICS**

<b>Mechanical</b> Weight (g)	-	3.408
<b>Environmental</b> Storage temperature (°C) RoHS	IEC 61300-2-22 -	-65 / +85 Compliant
<b>Others:</b> Use	-	This part must be used with the complete connector Manipulate with gloves
Packaging	-	Bulk

**RUBBER GLAND SELECTION CHART**

<b>ΦD*</b>	<b>Recommended gland size</b>
From 4.8 min to 5.8 Max	"6"
From 5.8 min to 6.8 Max	"7"
From 6.8 min to 7.8 Max	"8"
From 7.8 min to 8.8 Max	"9"
From 8.8 min to 9.8 Max	"10"
From 10.3 min to 11.3 Max	"11.5"

Gland size is written on the gland edge



\*Cable diameter under the gland. If the cable has a sleeve, the diameter over the sleeve should be considered  
The tolerances of ΦD should be taken into account to make sure it is always within the specified range