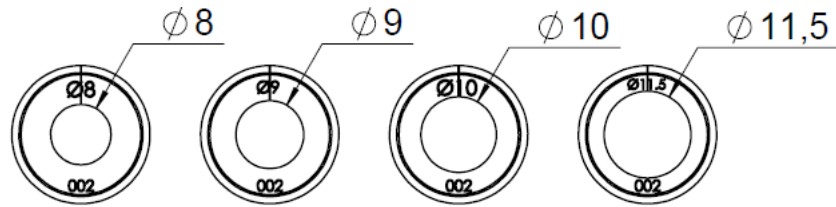
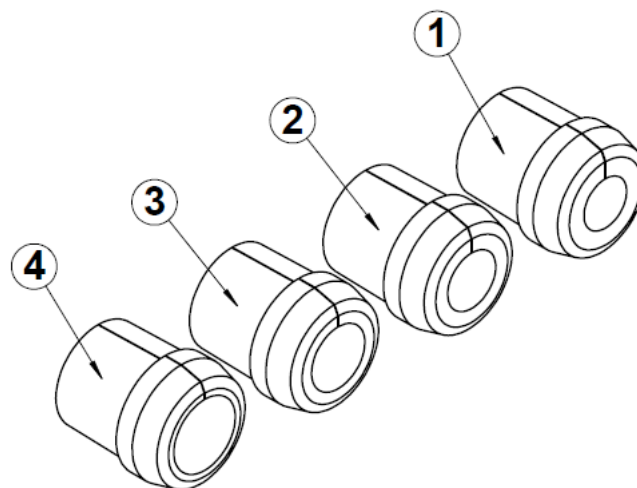
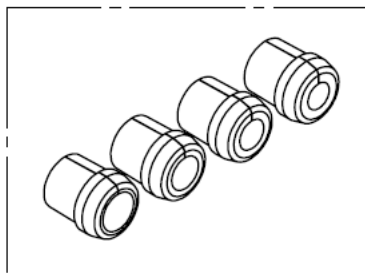


PAGE 1/2	ISSUE 28-01-19A	SERIES OCTIS	PART NUMBER OCTI090505
----------	-----------------	--------------	------------------------



inner diameters are given for reference only

Packing configuration



All dimensions are in mm. Tolerances according ISO 2768 m-H

DESCRIPTION

REP	COMPONENT	MATERIALS	PLATING
1	Split rubber gland Ø8	SILICONE	-
2	Split rubber gland Ø9	SILICONE	-
3	Split rubber gland Ø10	SILICONE	-
4	Split rubber gland Ø11.5	SILICONE	-

PAGE 2/2	ISSUE 28-01-19A	SERIES OCTIS	PART NUMBER OCTI090505
----------	-----------------	--------------	------------------------

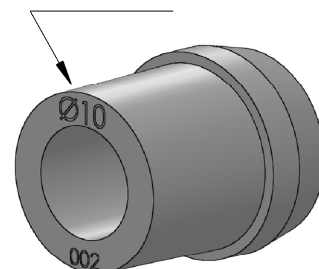
GENERAL CHARACTERISTICS

Mechanical Weight (g)		16.5100
Environmental Storage temperature (°C) RoHS	IEC 61300-2-22 -	-65 / +85 Compliant
Others: Use	-	This part must be used with the complete connector Manipulate with gloves
Packaging	-	Bulk

RUBBER GLAND SELECTION CHART

ØD*	Recommended gland size
From 4.8 min to 5.8 Max	"6"
From 5.8 min to 6.8 Max	"7"
From 6.8 min to 7.8 Max	"8"
From 7.8 min to 8.8 Max	"9"
From 8.8 min to 9.8 Max	"10"
From 10.3 min to 11.3 Max	"11.5"

Gland size is written on the gland edge



*Cable diameter under the gland. If the cable has a sleeve, the diameter over the sleeve should be considered
The tolerances of ØD should be taken into account to make sure it is always within the specified range