

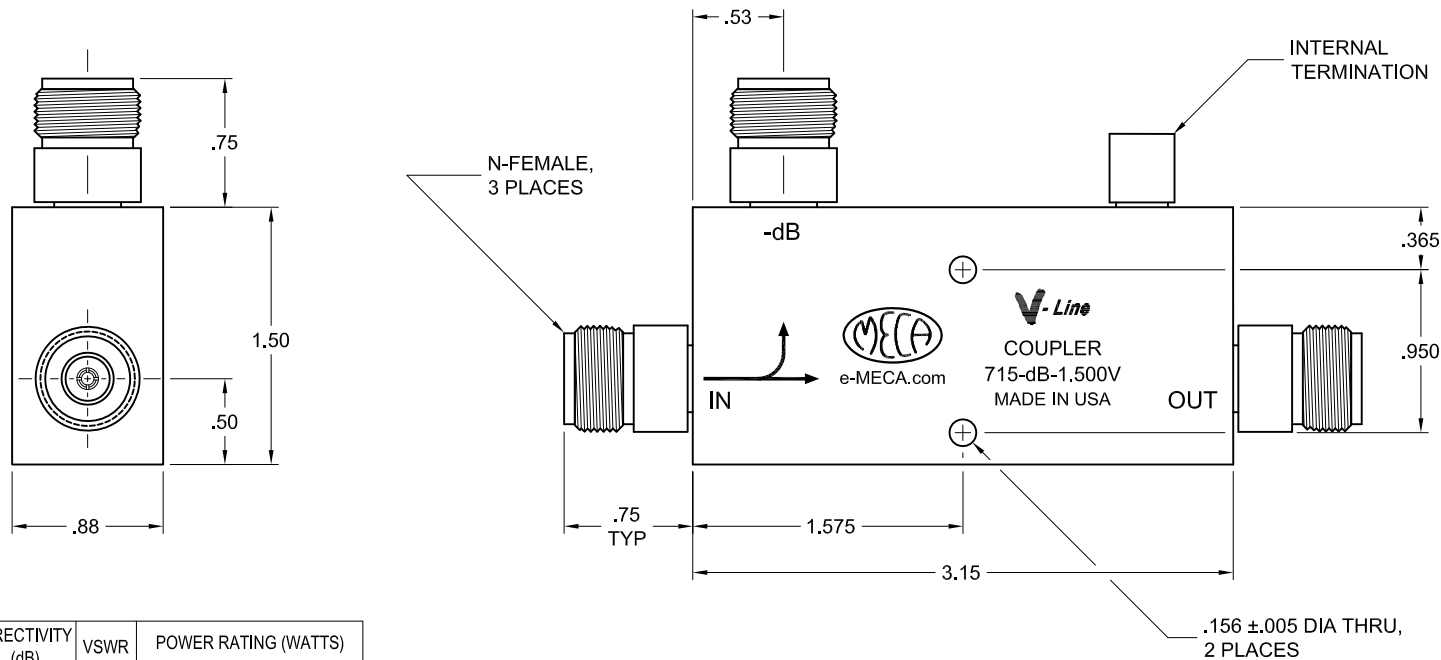
ELECTRICAL SPECIFICATIONS

FREQUENCY RANGE (GHz):	0.800-2.200
IMPEDANCE (NOMINAL):	50 OHMS
VSWR (MAX):	SEE TABLE
COUPLING:	* NOMINAL ± 1.75 dB
(INCLUDES ALL VARIATIONS)	
DIRECTIVITY (MIN):	SEE TABLE
INSERTION LOSS (MAX):	0.1 dB
(EXCLUDING COUPLED POWER)	
POWER RATING: AVG:	SEE TABLE
PEAK:	10 kWATTS

* NOMINAL COUPLING VALUES OF
6, 10, 20, 30 & 40 dB AVAILABLE


MECHANICAL SPECIFICATIONS

CONNECTORS:	N-FEMALE, BRASS, ALBALOY
CONTACT PINS:	BERYLLIUM COPPER, GOLD PLATE
HOUSING:	ALUMINUM, RoHS COMPLIANT IRIDITE
INSULATORS:	PTFE, VIRGIN ELECTRICAL GRADE
TEMPERATURE:	-55°C TO +85°C
WEIGHT:	9.00 oz



PART NO.	COUPLING (dB) (NOMINAL)	DIRECTIVITY (dB) (MIN)	VSWR (MAX)	POWER RATING (WATTS)	
				FORWARD	REVERSE
715-06-1.500V	6	22	1.20:1	100	10
715-08-1.500V	8	25	1.15:1	100	10
715-10-1.500V	10	25	1.15:1	250	25
715-15-1.500V	15	27	1.10:1	250	25
715-20-1.500V	20	27	1.10:1	500	250
715-30-1.500V	30	27	1.10:1	500	500
715-40-1.500V	40	25	1.10:1	500	500

F	SEE DCN # 111201	12/01/11	M.O.C.
E	SEE DCN # 110103-2	01/04/11	EB
D	SEE DCN # 080801	08/04/08	JL
LTR	DESCRIPTION	DATE	APP

MATERIAL: SEE ABOVE		UNLESS OTHERWISE SPECIFIED, DIMENSIONS ARE IN INCHES		 ELECTRONICS, INC. DENVER, NEW JERSEY e-MECA.com	
FINISH: SEE ABOVE		TOLERANCES 2 PLACES: $\pm .02$ 3 PLACES: $\pm .010$ ANGLES: N/A			
DRAWN: RWA		DATE: 06/11/02		TITLE V-Line 715 SERIES DIRECTIONAL COUPLER SPECIFICATION DRAWING	
APPROVED: MJD		DATE: 06/11/02		SCALE: NTS	
				SIZE A	
		SHEET: 1 OF 1		CODE IDENT. NO. 22424	
				DRAWING NO. 715-dB-1.500V	
				REV F	