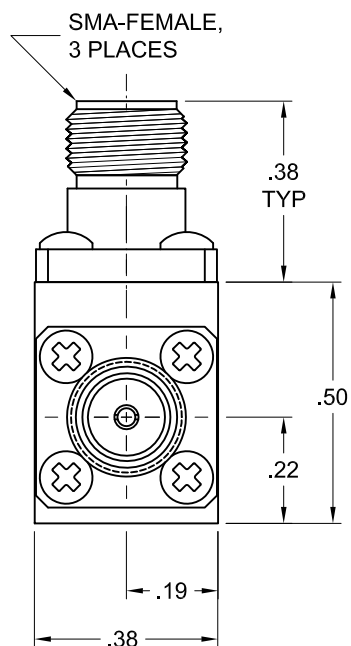


ELECTRICAL SPECIFICATIONS

FREQUENCY RANGE (GHz): 12.400 - 18.000
 IMPEDANCE (NOMINAL): 50 OHMS
 VSWR (MAX): MAIN LINE: 1.30:1
 SECONDARY LINE: 1.40:1
 COUPLING (NOMINAL): * NOM ± 1.0 dB
 (INCLUDES ALL VARIATIONS)
 DIRECTIVITY (MIN): 15 dB
 INSERTION LOSS (MAX): 0.5 dB
 (EXCLUDING COUPLED POWER)
 POWER (AVG): SEE TABLE
 (PEAK): 1000 W

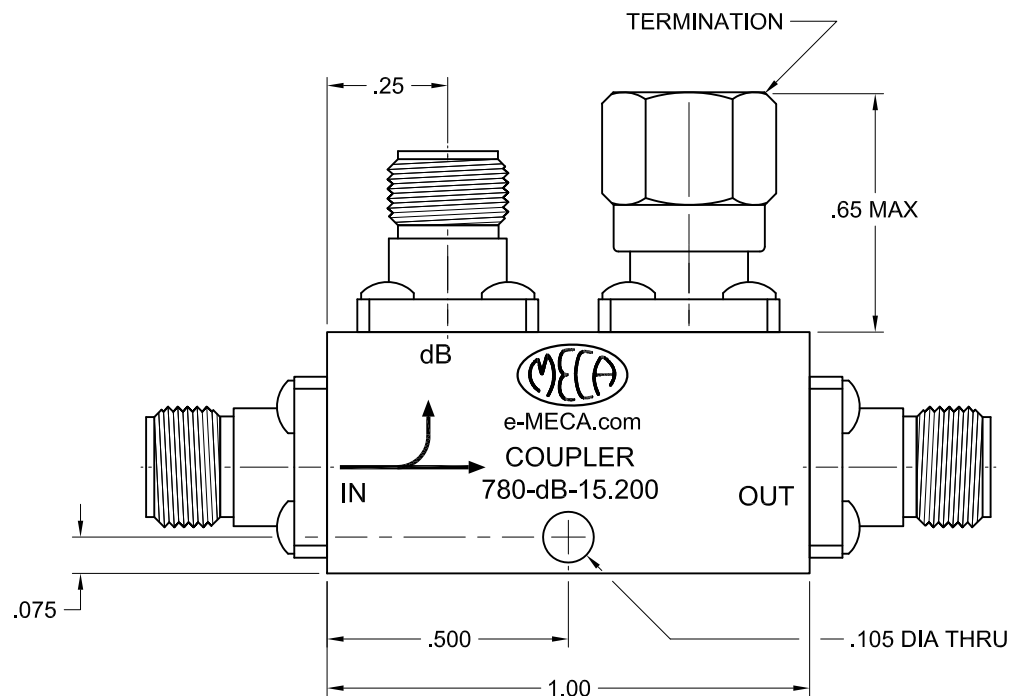
* NOMINAL COUPLING VALUES OF 6, 10, 20, & 30 dB AVAILABLE




PART NO.	COUPLING (dB) (NOMINAL)	POWER RATING (WATTS)	
		FORWARD	REVERSE
780-06-15.200	6	50	2
780-10-15.200	10	50	5
780-20-15.200	20	50	50
780-30-15.200	30	50	50

MECHANICAL SPECIFICATIONS

CONNECTORS: SMA-FEMALE, STAINLESS STEEL, PASSIVATE
 CONTACT PINS: BERYLLIUM COPPER, GOLD PLATE
 HOUSING: ALUMINUM, RoHS COMPLIANT IRIDITE
 INSULATORS: PTFE, VIRGIN ELECTRICAL GRADE
 OPERATING TEMP: -55°C TO +85°C
 WEIGHT (NOMINAL): 0.67 oz.



D	SEE DCN # 100205	02/08/10	RP	JS	MATERIAL: SEE ABOVE	UNLESS OTHERWISE SPECIFIED, DIMENSIONS ARE IN INCHES	 ELECTRONICS, INC. DENVER, NEW JERSEY e-meca.com					
C	SEE DCN # 091006-2	10/07/09	AC	RR	FINISH: SEE ABOVE	TOLERANCES 2 PLACES: ±.02 3 PLACES: ±.010 ANGLES: N/A						
B	SEE DCN # 090615-3	06/16/09	GQ	RR	DRAWN: AI	DATE: 10/13/05	TIR: N/A					
LTR	PG	DESCRIPTION	DATE	DR	APP	APPROVED: JL	DATE: 10/13/05	SCALE: NTS	SIZE	CODE IDENT. NO.	DRAWING NO.	REV
								SHEET: 1 OF 1	A	22424	780-dB-15.200	D
TITLE										DIRECTIONAL COUPLER, SMA-FEMALE CONNECTORS		