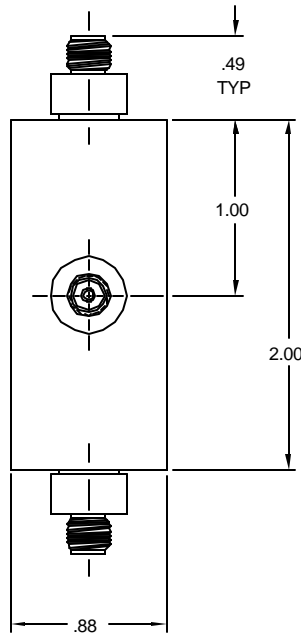


ELECTRICAL SPECIFICATIONS

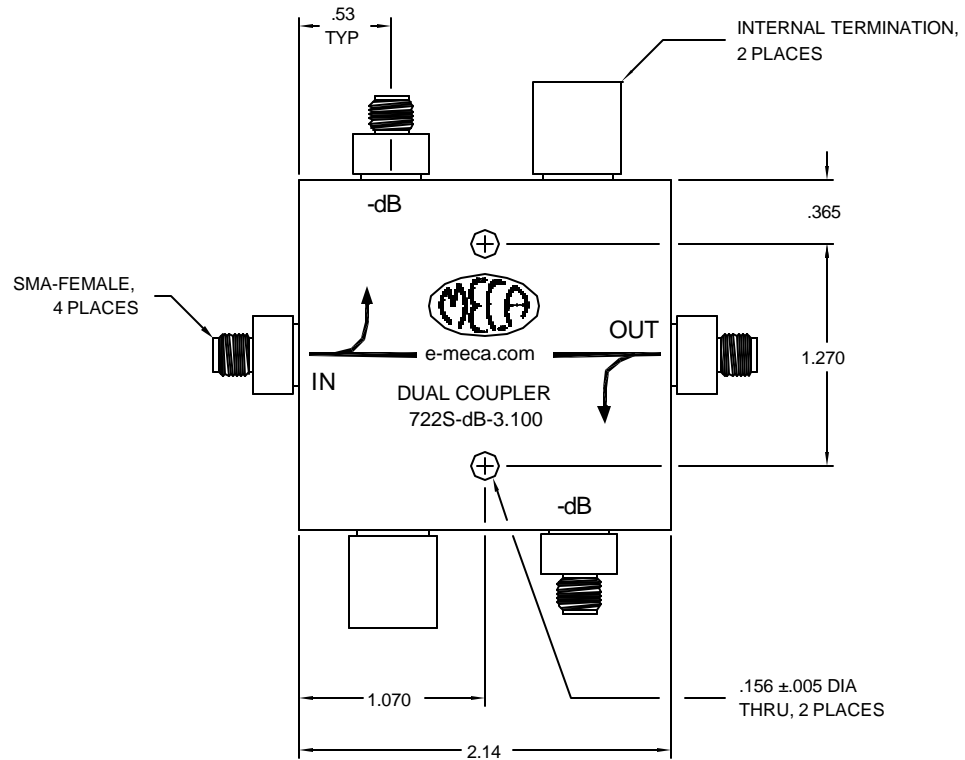
FREQUENCY RANGE (GHz):	2.000-4.200
COUPLING:	*NOM ± 1.2 dB
(INCLUDES ALL VARIATIONS)	
IMPEDANCE (NOMINAL):	50 OHMS
VSWR (MAX):	SEE TABLE
PORT-TO-PORT TRACKING (MAX):	0.5 dB
DIRECTIVITY (MIN):	SEE TABLE
INSERTION LOSS (MAX):	0.1 dB
(EXCLUDING COUPLED POWER)	
POWER RATING: AVG:	SEE TABLE
PEAK:	10 KWATTS

*NOMINAL COUPLING VALUES OF 10, 20, 30, & 40 dB AVAILABLE



MECHANICAL SPECIFICATIONS


CONNECTORS:	SMA-FEMALE, STAINLESS STEEL, PASSIVATE
HOUSING:	ALUMINUM, YELLOW IRIDITE
INSULATORS:	PTFE, VIRGIN ELECTRICAL GRADE
TEMPERATURE:	-55°C TO +85°C



PART NO.	COUPLING (dB) (NOMINAL)	DIRECTIVITY (dB) (MIN)	VSWR (MAX)	POWER RATING (WATTS)	
				FORWARD	REVERSE
722S-10-3.100	10	20	1.20:1	25	
722S-20-3.100	20	22	1.15:1	100	
722S-30-3.100	30	22	1.15:1	100	
722S-40-3.100	40	22	1.15:1	100	

A	REDRAW	10/13/05	JL
LTR	DESCRIPTION	DATE	APP

MATERIAL: SEE ABOVE		UNLESS OTHERWISE SPECIFIED, DIMENSIONS ARE IN INCHES	
FINISH: SEE ABOVE		TOLERANCES 2 PLACES: $\pm .05$ 3 PLACES: $\pm .020$ ANGLES: N/A	
DRAWN: AI	DATE: 10/13/05	TIR: N/A	
APPROVED: JL	DATE: 10/13/05	SCALE: NTS	SIZE A
		SHEET: N/A	

 ELECTRONICS, INC. DENVER, NEW JERSEY e-meca.com	
CODE IDENT. NO. 22424	DRAWING NO. 722S-dB-3.100