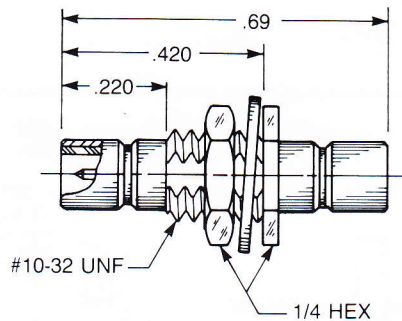


### **Straight Male Jack To Jack Adapter**

- Connects two plugs

5213-1501-000 (Gold plated)

5213-7501-000 (Nickel plated)

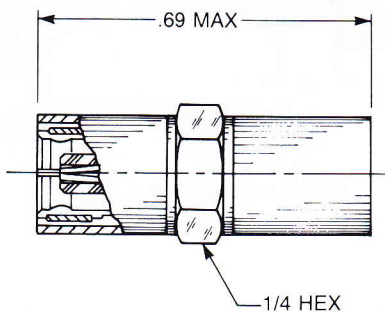


### **Bulkhead Mounted Straight Male Jack To Jack Adapter**

- Connects two plugs
- For .093" max. panel

5222-1501-000 (Gold plated)

5222-7501-000 (Nickel plated)

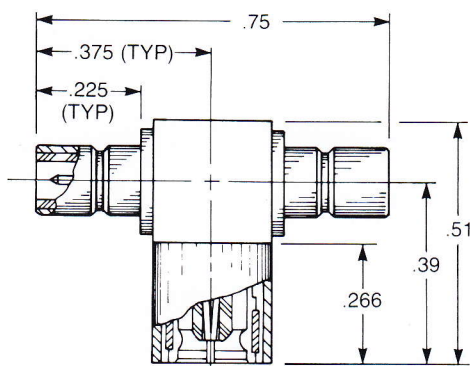


### **Straight Female Plug To Plug Adapter**

- Connects two jacks

5216-1501-000 (Gold plated)

5216-7501-000 (Nickel plated)



### **Tee Adapter (Unmatched Power Divider) Jack To Plug To Jack**

- Connects two plugs and one jack

5215-1501-000 (Gold plated)

5215-7501-000 (Nickel plated)