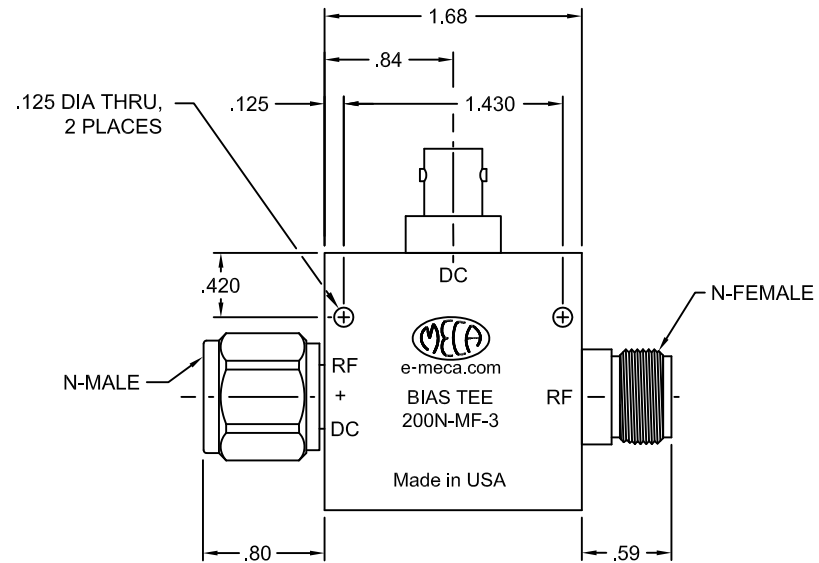
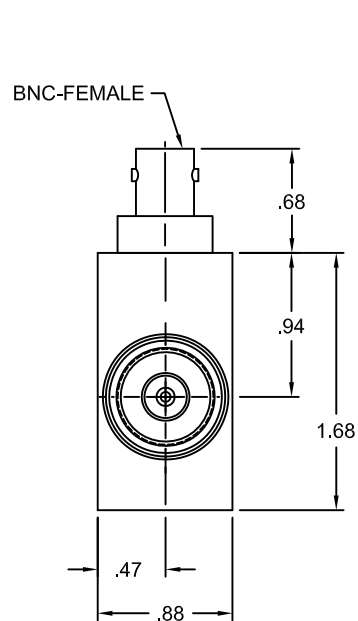
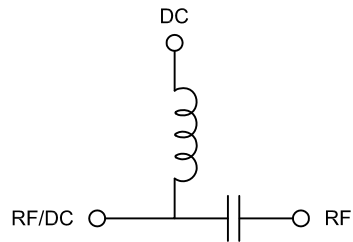



# ELECTRICAL SPECIFICATIONS

FREQUENCY RANGE (GHz):	0.500-2.500
IMPEDANCE (NOMINAL):	50 Ohms
VSWR: INPUT/OUTPUT:	1.25:1 TYP/1.40:1 MAX
INSERTION LOSS (dB):	0.25 TYP/0.50 MAX
DC VOLTAGE:	100 VDC MAX
DC CURRENT:	7 AMPS MAX
ISOLATION (RF TO BIAS PORT)(dB):	30 TYP/25 MIN
RF POWER (TOTAL MAX):	300 WATTS AVG 3 KW PEAK

# MECHANICAL SPECIFICATIONS

CONNECTORS:	N-MALE, BRASS, ALBALOY N-FEMALE, BRASS, ALBALOY BNC-FEMALE, BRASS, ALBALOY
CONNECTOR PINS:	
MALE:	BRASS, GOLD PLATE
FEMALE:	BERYLLIUM COPPER, GOLD PLATE
HOUSING:	ALUMINUM, RoHS COMPLIANT IRIDITE
INSULATORS:	PTFE, VIRGIN ELECTRICAL GRADE
TEMPERATURE:	-55°C TO +85°C
O-RING:	SILICONE RUBBER
WEIGHT (APPROX):	0.4 lb



D	SEE DCN #080723-1	08/13/08	AC	RR	MATERIAL: SEE ABOVE	UNLESS OTHERWISE SPECIFIED, DIMENSIONS ARE IN INCHES	 <b>ELECTRONICS, INC.</b> DENVER, NEW JERSEY e-meca.com		
LTR	PG	DESCRIPTION	DATE	DR	APP	FINISH: SEE ABOVE		TOLERANCES 2 PLACES: ±.02 3 PLACES: ±.010 ANGLES: N/A	
					DRAWN: NL	DATE: 07/27/06	TIR: N/A	<b>TITLE</b> BIAS TEE, N-MALE / N-FEMALE, BNC-FEMALE, WEATHER PROOF	
					APPROVED: PK	DATE: 07/27/06	SCALE: NTS		CODE IDENT. NO. 22424
					SHEET: 1 OF 1		SIZE <b>A</b>	DRAWING NO. 200N-MF-3	REV <b>D</b>