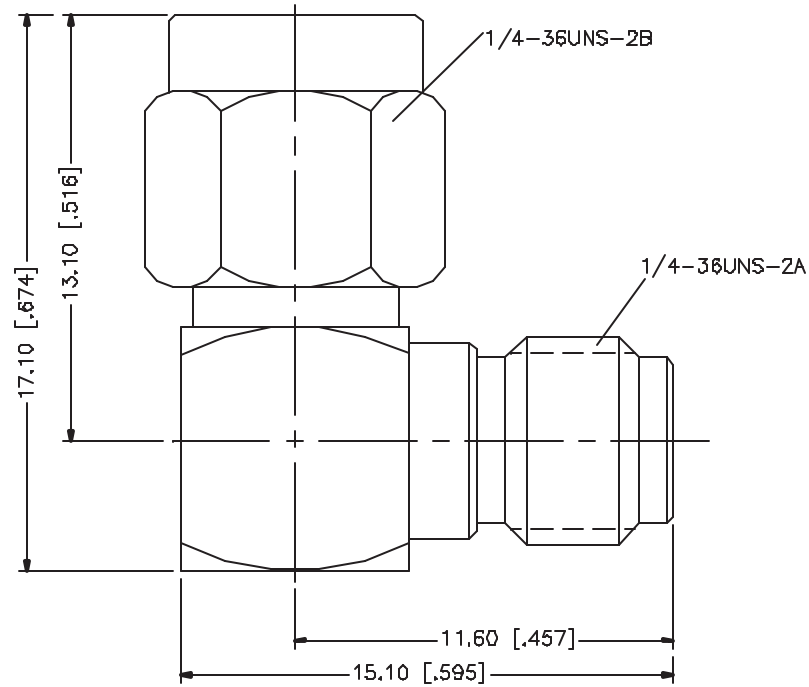


REV.	DATE	DESCRIPTION
NC	06/01/99	INITIAL RELEASE
A	05/01/04	UPDATE DRAWING FORMAT



				APPROVALS		DATE	Amphenol Connex			
8				DRAWN	G.R.S.	05/01/04				PART DESCRIPTION SMA MALE TO FEMALE R/A ADAPTOR
7				CHECKED			PART NO. 132172			
6				ISSUED						DWG. NO. 132172.DWG REV. A SIZE A SCALE NA
5				SHEET	1 OF 1					
4	CONTACT PIN	BER. COPPER	GOLD	1	CAD FILE C:/132/132172.DWG					
3	CONTACT PIN	BRASS	GOLD	1						
2	INSULATOR	TEFLON	NATURAL	1						
1	HOUSING/BODY	BRASS	GOLD	1						
DESCRIPTION MATERIAL FINISH QTY				DO NOT SCALE DRAWING						

UNLESS OTHERWISE SPECIFIED DIMENSIONS ARE IN MILLIMETERS DIMENSIONS IN [] ARE IN INCHES AND FOR CUSTOMER REFERENCE ONLY.

UNLESS OTHERWISE SPECIFIED TOLERANCES FOR MILLIMETERS ARE:
 0.5 - 8mm ± 0.20mm
 8 - 30mm ± 0.40mm
 30 - 120mm ± 0.50mm

UNLESS OTHERWISE SPECIFIED TOLERANCES FOR INCHES ARE:
 .020 - .315 = ± 0.007"
 .315 - 1.180 = ± 0.015"
 1.180 - 4.724 = ± 0.020"