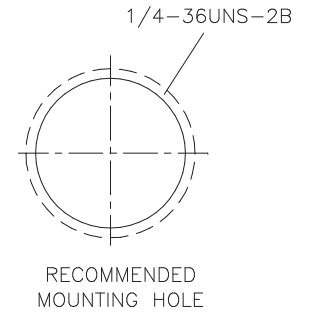
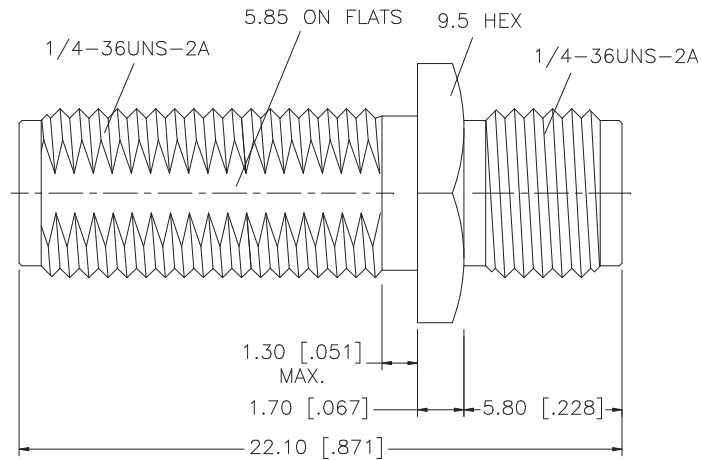
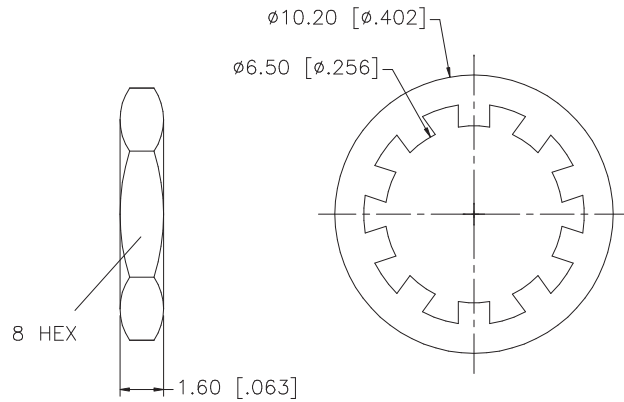
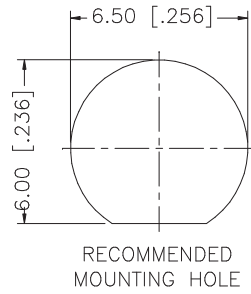


REV.	DATE	DESCRIPTION
C	04/08/01	ADD NOTES AND MOUNTING HOLE
D	04/31/03	UPDATE DRAWING FORMAT



NOTES:

1. MAX. PANEL THICKNESS = 6.5mm  
MIN. PANEL THICKNESS = 2mm

QTY	DESCRIPTION	MATERIAL	FINISH	DO NOT SCALE DRAWING	APPROVALS	DATE	Amphenol Connex						
8					DRAWN	G.R.S.	04/31/03	PART DESCRIPTION <b>SMA BULKHEAD FEMALE TO FEMALE ADAPTOR</b>					
7					CHECKED								
6					ISSUED			PART NO. <b>132170</b>					
5	HEX NUT	BRASS	GOLD	1	SHEET	1 OF 1							
4	LOCK WASHER	BRASS	GOLD	1				DWG. NO. 132170.DWG					
3	CONTACT PIN	BER. COPPER	GOLD	1									
2	INSULATOR	TEFLON	NATURAL	1				REV.	D	SIZE	A	SCALE	NA
1	BODY	BRASS	GOLD	1									

UNLESS OTHERWISE SPECIFIED DIMENSIONS ARE IN MILLIMETERS. DIMENSIONS IN [ ] ARE IN INCHES AND FOR CUSTOMER REFERENCE ONLY.

UNLESS OTHERWISE SPECIFIED TOLERANCES FOR MILLIMETERS ARE:  
0.5 - 8mm ± 0.20mm  
8 - 30mm ± 0.40mm  
30 - 120mm ± 0.50mm

UNLESS OTHERWISE SPECIFIED TOLERANCES FOR INCHES ARE:  
.020 - .315 = ± 0.007"  
.315 - 1.180 = ± 0.015"  
1.180 - 4.724 = ± 0.020"

APPROVALS	DATE
DRAWN G.R.S.	04/31/03
CHECKED	
ISSUED	
SHEET 1 OF 1	
CAD FILE	C:/132/132170.DWG

Amphenol Connex			
PART DESCRIPTION			
SMA BULKHEAD FEMALE TO FEMALE ADAPTOR			
PART NO.			
132170			
DWG. NO.	REV.	SIZE	SCALE
132170.DWG	D	A	NA