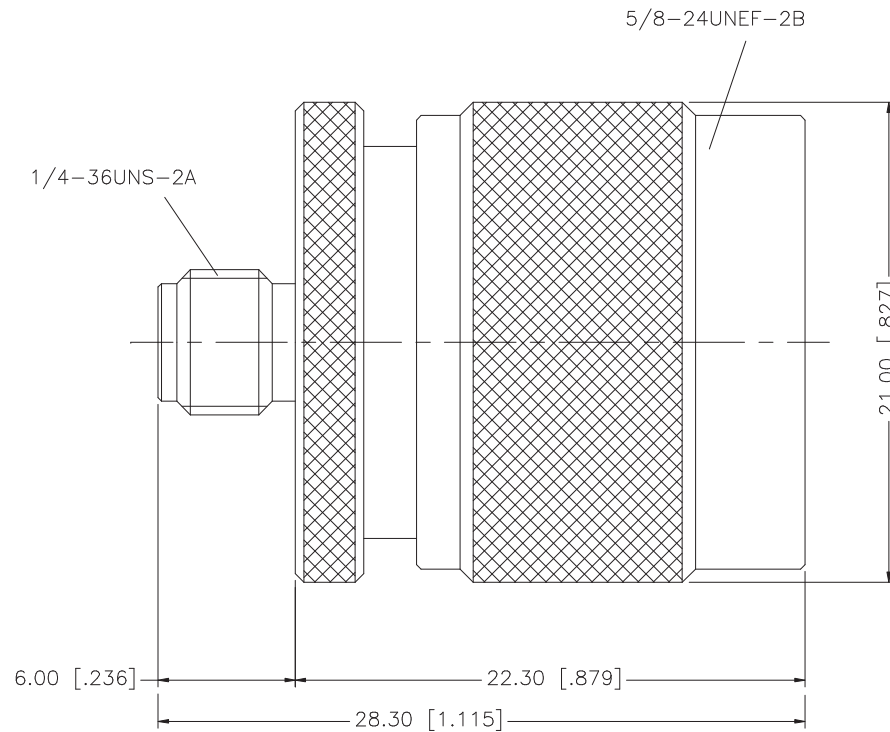


REV.	DATE	DESCRIPTION
NC	01/08/97	INITIAL RELEASE
A	11/13/05	UPDATE DRAWING FORMAT
B	06/23/06	REVISE SMA LENGTH TO 6.0mm / OVERALL PART LENGTH TO 28.30mm



					APPROVALS	DATE	Amphenol Connex					
8					DRAWN	G.R.S.					06/23/06	PART DESCRIPTION N MALE TO SMA FEMALE ADAPTER
7					CHECKED			PART NO. 242113				
6					ISSUED							DWG. NO. 242113.DWG REV. B SIZE A SCALE NA
5					SHEET	1 OF 1		DO NOT SCALE DRAWING				
4					CAD FILE	C:/242/242113.DWG						
3	CONTACT PIN	PHOS. BRONZE	GOLD	1								
2	INSULATOR	TEFLON	NATURAL	1								
1	BODY	BRASS	NICKEL	1								
DESCRIPTION					MATERIAL		FINISH					QTY

UNLESS OTHERWISE SPECIFIED DIMENSIONS ARE IN MILLIMETERS. DIMENSIONS IN [] ARE IN INCHES AND FOR CUSTOMER REFERENCE ONLY.

UNLESS OTHERWISE SPECIFIED TOLERANCES FOR MILLIMETERS ARE:
0.5 - 8mm ± 0.20mm
8 - 30mm ± 0.40mm
30 - 120mm ± 0.50mm

UNLESS OTHERWISE SPECIFIED TOLERANCES FOR INCHES ARE:
.020 - .315 = ± 0.007"
.315 - 1.180 = ± 0.015"
1.180 - 4.724 = ± 0.020"