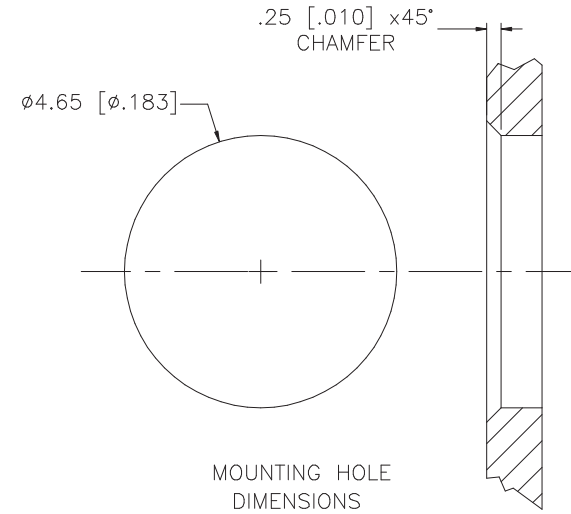
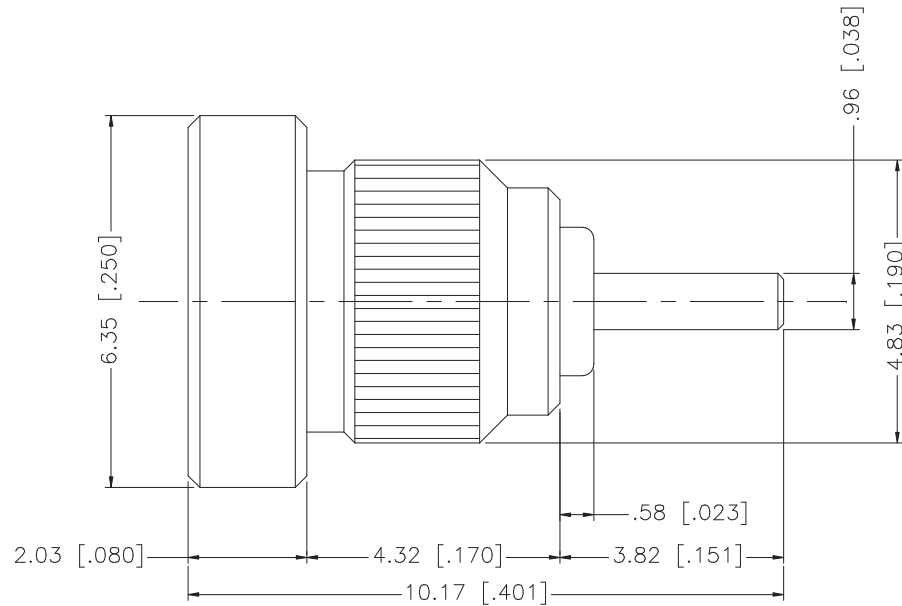


REV.	DATE	DESCRIPTION
NC	12/16/98	INITIAL RELEASE
A	09/30/05	UPDATE DRAWING FORMAT



REV.	DATE	DESCRIPTION
NC	12/16/98	INITIAL RELEASE
A	09/30/05	UPDATE DRAWING FORMAT

8					<small>UNLESS OTHERWISE SPECIFIED DIMENSIONS ARE IN MILLIMETERS. DIMENSIONS IN [] ARE IN INCHES AND FOR CUSTOMER REFERENCE ONLY.</small> <small>UNLESS OTHERWISE SPECIFIED TOLERANCES FOR MILLIMETERS ARE: 0.5 - 8mm \pm 0.20mm 8 - 30mm \pm 0.40mm 30 - 120mm \pm 0.50mm</small> <small>UNLESS OTHERWISE SPECIFIED TOLERANCES FOR INCHES ARE: .020 - .315 = \pm 0.007" .315 - 1.180 = \pm 0.015" 1.180 - 4.724 = \pm 0.020"</small>	APPROVALS	DATE	<h1>Amphenol Connex</h1>	
7				DRAWN		G.R.S.	09/30/05		PART DESCRIPTION MCX PRESS FIT RECEPTACLE -
6				CHECKED					
5				ISSUED					
4				SHEET		1 OF 1			
3	CONTACT PIN	BER. COPPER	GOLD	1				PART NO.	252124
2	INSULATOR	TEFLON	NATURAL	1				DWG. NO.	252124.DWG
1	BODY	BRASS	GOLD	1				REV.	A
	DESCRIPTION	MATERIAL	FINISH	QTY	DO NOT SCALE DRAWING			SIZE	A
								SCALE	NA