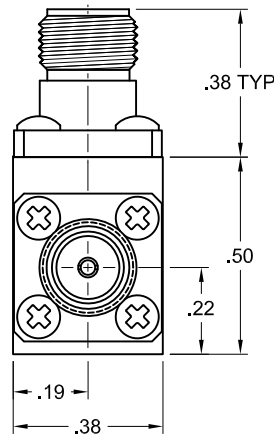


# ELECTRICAL SPECIFICATIONS

FREQUENCY RANGE (GHz):	7.500 - 16.000
IMPEDANCE (NOMINAL):	50 OHMS
VSWR (MAX):	MAIN LINE: 1.35:1
	SECONDARY LINE: 1.40:1
COUPLING (NOMINAL):	* NOM ± 1.25 dB
(INCLUDES ALL VARIATIONS)	
DIRECTIVITY (MIN):	15 dB
INSERTION LOSS (MAX):	0.50 dB
(EXCLUDING COUPLED POWER)	
POWER (AVG):	SEE TABLE
(PEAK):	SEE TABLE

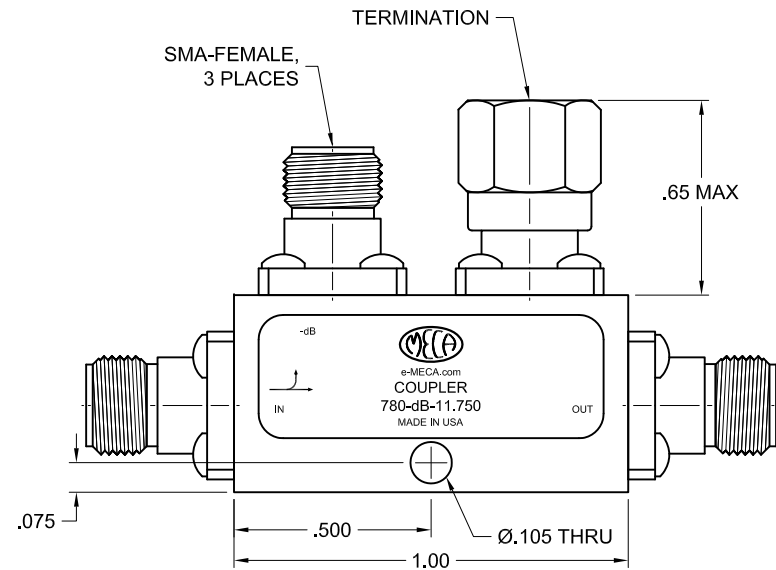
\* NOMINAL COUPLING VALUES OF 10, 20, & 30 dB AVAILABLE

PART NO.	COUPLING (dB) (NOMINAL)	POWER RATING (WATTS)		
		FORWARD	REVERSE	PEAK
780-10-11.750	10	50	5	2 kW
780-20-11.750	20	50	50	3 kW
780-30-11.750	30	50	50	3 kW




# MECHANICAL SPECIFICATIONS

CONNECTORS:	SMA-FEMALE, STAINLESS STEEL, PASSIVATE
CONTACT PINS:	BERYLLIUM COPPER, GOLD PLATE
HOUSING:	ALUMINUM, RoHS COMPLIANT IRIDITE
INSULATORS:	PTFE, VIRGIN ELECTRICAL GRADE
OPERATING TEMP:	-55°C TO +85°C
WEIGHT:	0.7 oz.



E		SEE DCN #130213	02/13/13	M.O.C.	CC
D		SEE DCN #120210-10	02/17/12	M.O.C.	RR
C		SEE DCN #091120-1	11/20/09	AC	RR
B		SEE DCN #090615-1	06/16/09	GQ	JS
LTR	PG	DESCRIPTION	DATE	DR	APP

MATERIAL:		UNLESS OTHERWISE SPECIFIED, DIMENSIONS ARE IN INCHES	
SEE ABOVE			
FINISH:		TOLERANCES	
SEE ABOVE		2 PLACES: ±.02	
		3 PLACES: ±.010	
		ANGLES: N/A	
DRAWN:	DATE:	TIR: N/A	
AL	10/13/05		
APPROVED:	DATE:	SCALE: NTS	SIZE
JL	10/13/05	SHEET: 1 OF 1	A

 <b>ELECTRONICS, INC.</b> DENVER, NEW JERSEY e-MECA.com		<b>TITLE</b> DIRECTIONAL COUPLER	