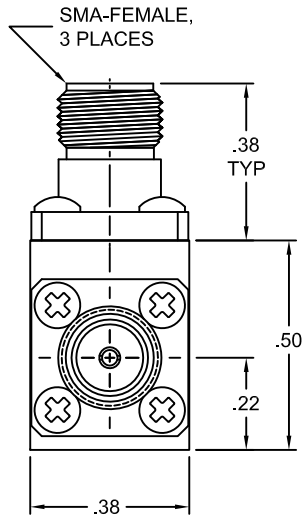


# ELECTRICAL SPECIFICATIONS

FREQUENCY RANGE (GHz): 2.000 - 4.000  
 IMPEDANCE (NOMINAL): 50 OHMS  
 VSWR (MAX): MAIN LINE: 1.15:1  
 SECONDARY LINE: 1.15:1  
 COUPLING (NOMINAL): \* NOM ± 1.25 dB  
 (INCLUDES ALL VARIATIONS)  
 DIRECTIVITY (MIN): 22 dB  
 INSERTION LOSS (MAX): 0.20 dB  
 (EXCLUDING COUPLED POWER)  
 POWER (AVG): SEE TABLE  
 (PEAK): 3000 W  
 FREQUENCY SENSITIVITY (MAX): SEE TABLE

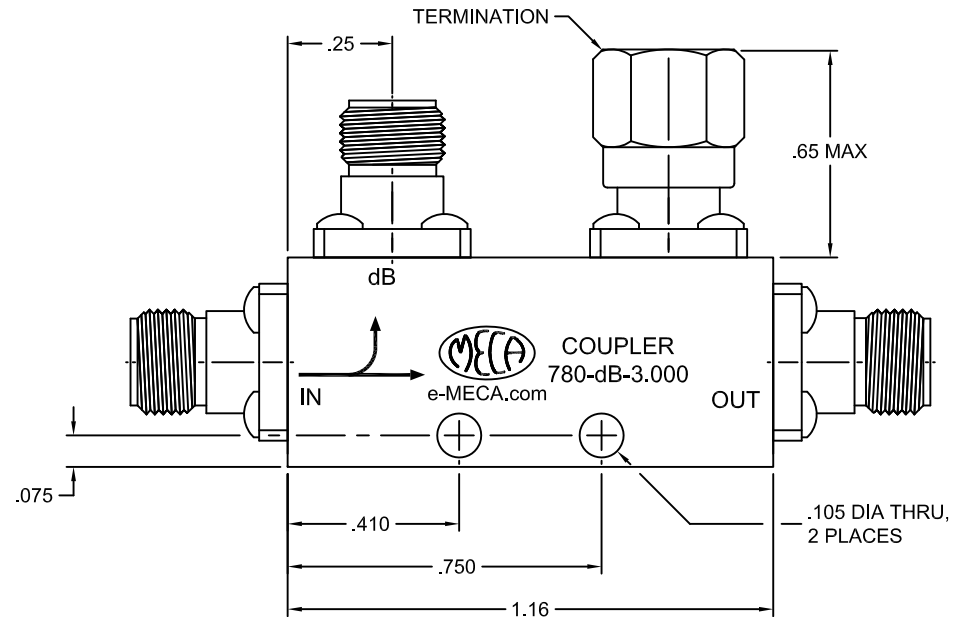
\* NOMINAL COUPLING VALUES OF 10, 20, & 30 dB AVAILABLE



PART NO.	COUPLING (dB) (NOMINAL)	POWER RATING (WATTS)		FREQUENCY SENSITIVITY (dB)
		FORWARD	REVERSE	
780-06-3.000	6	50	2	±0.60
780-10-3.000	10	50	5	±0.75
780-20-3.000	20	50	50	±0.75
780-30-3.000	30	50	50	±0.75


# MECHANICAL SPECIFICATIONS

CONNECTORS: SMA-FEMALE, STAINLESS STEEL, PASSIVATE  
 CONTACT PINS: BERYLLIUM COPPER, GOLD PLATE  
 HOUSING: ALUMINUM, RoHS COMPLIANT IRIDITE  
 INSULATORS: PTFE, VIRGIN ELECTRICAL GRADE  
 OPERATING TEMP: -55°C TO +85°C  
 WEIGHT: 0.8 oz.



B	SEE DCN #110117-1	01/18/11	DB	RR	N/A	
A	SEE DCN #080808-6	08/14/08	GQ	RR	N/A	
LTR	PG	DESCRIPTION	DATE	DR	APP	USED WITH

MATERIAL: SEE ABOVE		NEXT LEVEL: N/A	
FINISH: SEE ABOVE		UNLESS OTHERWISE SPECIFIED, DIMENSIONS ARE IN INCHES	
DRAWN: GQ		DATE: 10/13/05	
APPROVED: RR		DATE: 10/13/05	
		TOLERANCES 2 PLACES: ±.02 3 PLACES: ±.010 ANGLES: N/A	
		TIR: N/A	
		SCALE: NTS	
		SHEET: 1 OF 1	



**ELECTRONICS, INC.**  
 DENVER, NEW JERSEY  
 e-MECA.com

**TITLE**  
 DIRECTIONAL COUPLER, SMA-FEMALE  
 CONNECTORS

CODE IDENT. NO. 22424	DRAWING NO. 780-dB-3.000	REV <b>B</b>
--------------------------	-----------------------------	-----------------

**SIZE**  
**A**