

CATALOG NUMBER

0118-921-1

MATERIAL AND FINISH

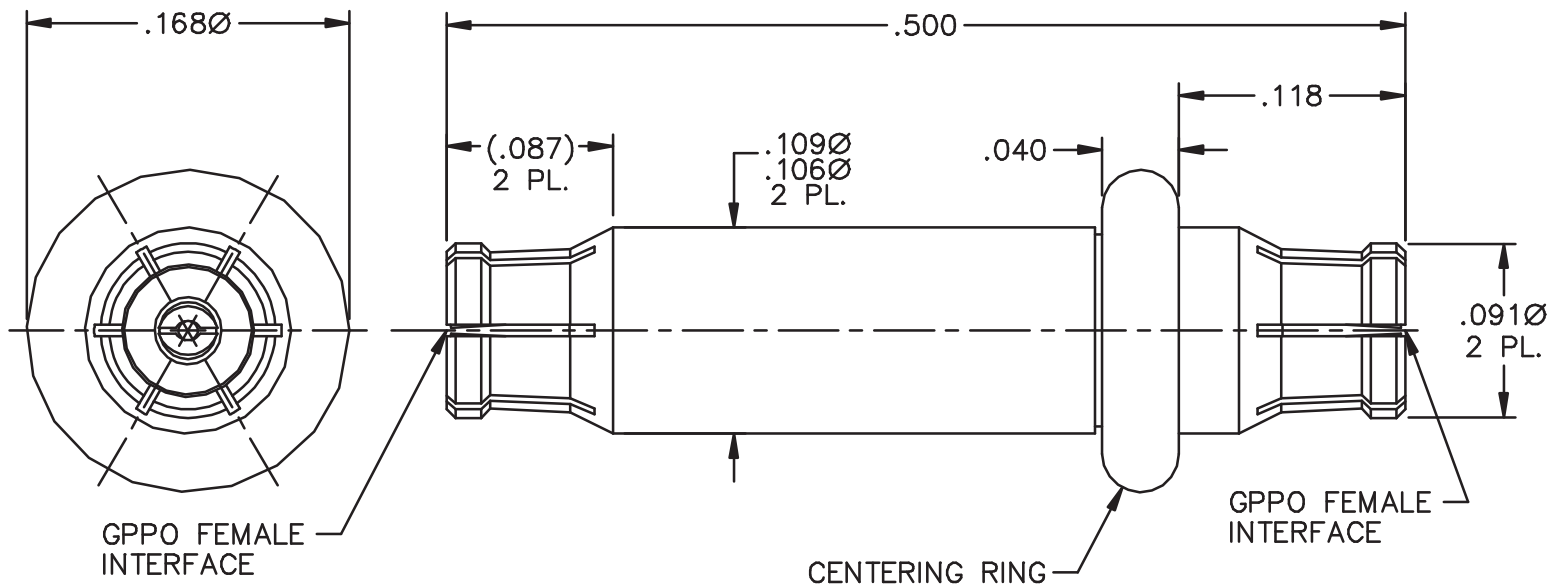
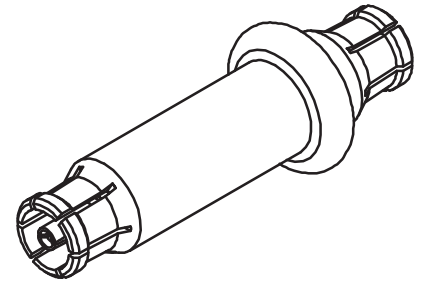
CENTER CONTACT
AND HOUSING:BeCu; GOLD PLATE 50-100 MICRONS
OVER NICKEL PLATE 50 MICRONS MIN.

DIELECTRICS:

VIRGIN PTFE

CENTERING RING:

ACETAL



This drawing and any data contained herein is the property of Corning Gilbert Inc., and constitutes and contains proprietary and confidential information. Neither receipt nor possession of this drawing confers or transfers any right to duplicate, use or disclose any information contained herein except as expressly authorized by Corning Gilbert Inc.

GPPO EXTENDED
BLINDMATE (.500)
INTERCONNECT

IDENT CODE:
82316

REVISION: G

Corning Gilbert Inc.

SOURCE FILE: SK-1163

DWG. NO.: OL-0118-921-1

ASSY. PROC.: -