

# SPECIFICATIONS

## ELECTRICAL

FREQUENCY RANGE \_\_\_\_\_ 2 - 4 GHz  
 VSWR  
 PRIMARY \_\_\_\_\_ 1.15:1 MAX.  
 SECONDARY \_\_\_\_\_ 1.15:1 MAX.  
 INPUT PORT  
 AVG. POWER \_\_\_\_\_ 50 WATTS @ 25°C  
 DERATES LINEARLY TO 10% @ 125°C  
 PEAK POWER \_\_\_\_\_ 4 k WATTS  
 IMPEDANCE \_\_\_\_\_ 50 OHMS  
 COUPLING \_\_\_\_\_ ± 1 dB  
 INSERTION LOSS \_\_\_\_\_ 0.20 dB MAX.  
 DIRECTIVITY \_\_\_\_\_ 22 dB MIN.  
 FREQUENCY SENSITIVITY \_\_\_\_\_ 6 dB \_\_\_\_\_ ± 0.60 dB  
 10 AND 20 dB \_\_\_\_\_ ± 0.75 dB  
 OPERATING TEMP RANGE \_\_\_\_\_ -54°C TO +125°C

## MECHANICAL

SMA CONNECTORS - FEMALE/JACK (IAW MIL-PRF-39012 & MIL-STD-348)

CONTACTS \_\_\_\_\_ GOLD PLATED BERYLLIUM COPPER  
 CONNECTOR HOUSING \_\_\_\_\_ PASSIVATED STAINLESS STEEL  
 CIRCUIT CASE \_\_\_\_\_ ALUMINUM ALLOY W/ CHEMICAL  
 CONVERSION COAT PER MIL-DTL-5541,  
 TYPE II, CLASS 1A

## ORDERING INFORMATION

| P/N            | COUPLING VALUE |
|----------------|----------------|
| OS2020-6608-06 | 6 dB           |
| OS2020-6609-10 | 10 dB          |
| OS2020-6610-20 | 20 dB          |

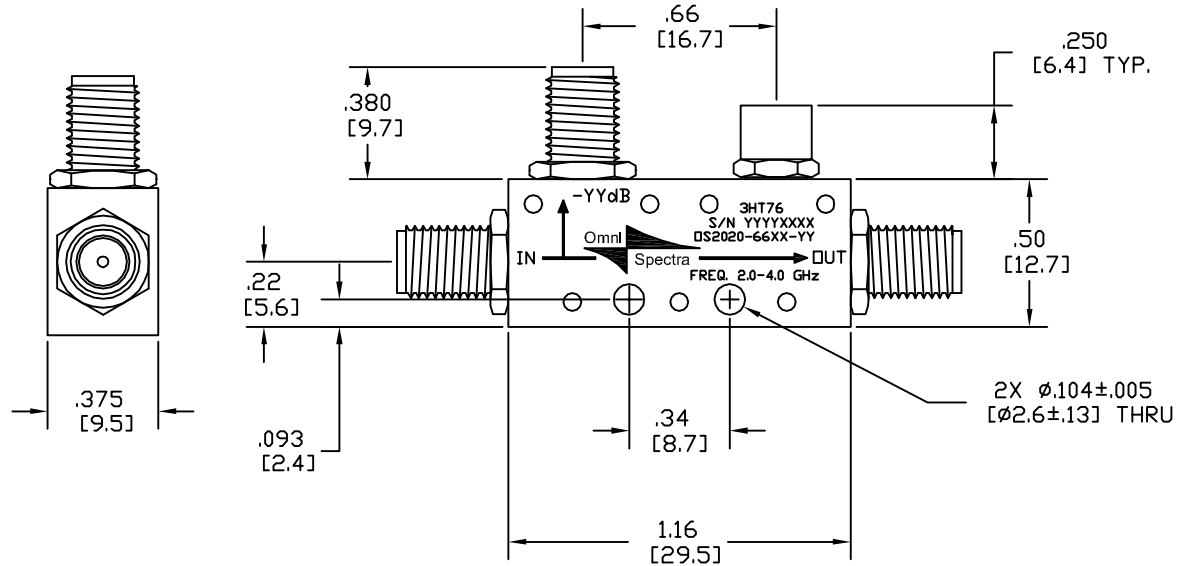
NOTE: FOR DFARS COMPLIANT PART,  
 ADD "-DF" TO END OF PART NUMBER

PRODUCTION  
 RELEASE

NOTE:  
 THIS DRAWING INCORPORATES  
 THIRD ANGLE PROJECTION.  
 INTERPRET IAW ANSI Y14.5-1995

### REVISIONS

| REV | DESCRIPTION        | DATE     | APPROVED |
|-----|--------------------|----------|----------|
| A   | UPDATED TOLERANCES | 03/07/11 | T.A.K    |



| DRAWING PRACTICES PER ANSI-Y14.5<br>MIL-STD-100 & 1000         | UNLESS OTHERWISE SPECIFIED<br>TOLERANCES IN<br>DECIMALS INCH MM | DATE                          |
|--|---|-------------------------------|
| 3DIMENSIONS ARE IN INCHES AND<br>APPLY BEFORE/AFTER PROCESSING | .XX .03" [.76]  | DRAWN<br>T. MAIN 10/21/2010   |
| SURFACE<br>FINISH 63 ✓   | .XXX .02" [.25]   | CHECKED<br>T. KUHN 10/21/2010 |
| SEE NOTES  | .XXXX .02" [.127]   | ENG.<br>T. KUHN 10/21/2010    |
| MATERIAL:<br>SEE NOTES   | UNLESS OTHERWISE NOTED<br>DIA'S CONCENTRIC <.003 T.I.R.         | DATE                          |

**XMA** Omni Spectra™  
 150 Dow Street, Manchester, NH 03101 P:603-222-2256 F:603-222-2259

TITLE  
**DIRECTIONAL COUPLER,  
 2-4GHz, SMA, 50 WATTS**

|              |                    |                                  |
|--------------|--------------------|----------------------------------|
| SIZE<br>c    | CAGE CODE<br>3HT76 | DWG NO.<br>OS2020-66XX-YY-2-4GHz |
| SCALE<br>3:1 | SHEET 1 OF 2       |                                  |