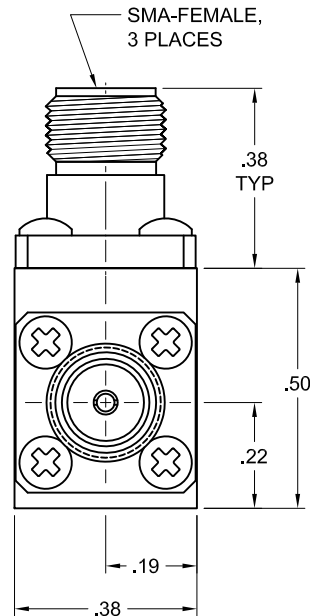


# ELECTRICAL SPECIFICATIONS

FREQUENCY RANGE (GHz): 4.000 - 8.000  
 IMPEDANCE (NOMINAL): 50 OHMS  
 VSWR (MAX): MAIN LINE: 1.25:1  
 SECONDARY LINE: 1.25:1  
 COUPLING (NOMINAL): \*NOMINAL  $\pm 1.25$  dB  
 (INCLUDES ALL VARIATIONS)  
 DIRECTIVITY (MIN): 20 dB  
 INSERTION LOSS (MAX): 0.25 dB  
 (EXCLUDING COUPLED POWER)  
 POWER (AVG): SEE TABLE  
 (PEAK): 3000 W  
 FREQUENCY SENSITIVITY:  $\pm 0.75$  dB

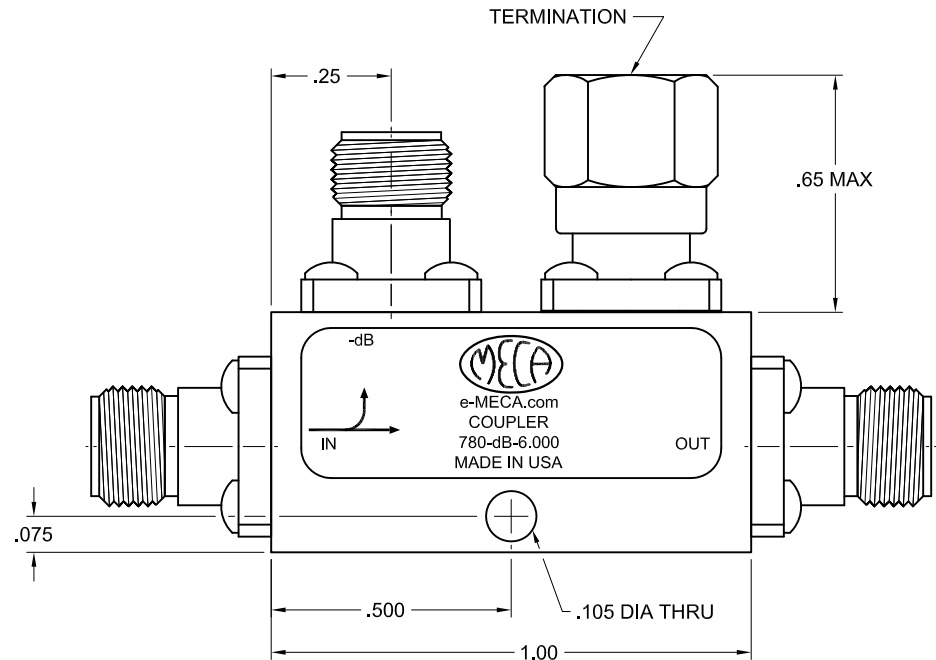
\* NOMINAL COUPLING VALUES OF 10, 20, & 30 dB AVAILABLE


PART NO.	COUPLING (dB) (NOMINAL)	POWER RATING (WATTS)	
		FORWARD	REVERSE
780-10-6.000	10	50	5
780-20-6.000	20	50	50
780-30-6.000	30	50	50



# MECHANICAL SPECIFICATIONS

CONNECTORS: SMA-FEMALE, STAINLESS STEEL, PASSIVATE  
 CONTACT PINS: BERYLLIUM COPPER, GOLD PLATE  
 HOUSING: ALUMINUM, RoHS COMPLIANT IRIDITE  
 INSULATORS: PTFE, VIRGIN ELECTRICAL GRADE  
 TEMPERATURE: -55°C TO +85°C  
 WEIGHT (NOMINAL): 0.8 oz.



C		SEE DCN #130605	06/05/13	M.O.C.	CC	MATERIAL: SEE ABOVE	UNLESS OTHERWISE SPECIFIED, DIMENSIONS ARE IN INCHES	 <b>ELECTRONICS, INC.</b> DENVER, NEW JERSEY e-MECA.com	TITLE <b>DIRECTIONAL COUPLER</b>		
B		SEE DCN #080808-6	08/14/08	GQ	RR	FINISH: SEE ABOVE	TOLERANCES 2 PLACES: $\pm .02$ 3 PLACES: $\pm .010$ ANGLES: N/A				
LTR	PG	DESCRIPTION	DATE	DR	APP	DRAWN: AI	DATE: 10/13/05	TIR: N/A	CAGE CODE NO. 22424	DRAWING NO. 780-dB-6.000	REV C
						APPROVED: JL	DATE: 10/13/05	SCALE: NTS			
								SHEET: 1 OF 1			