

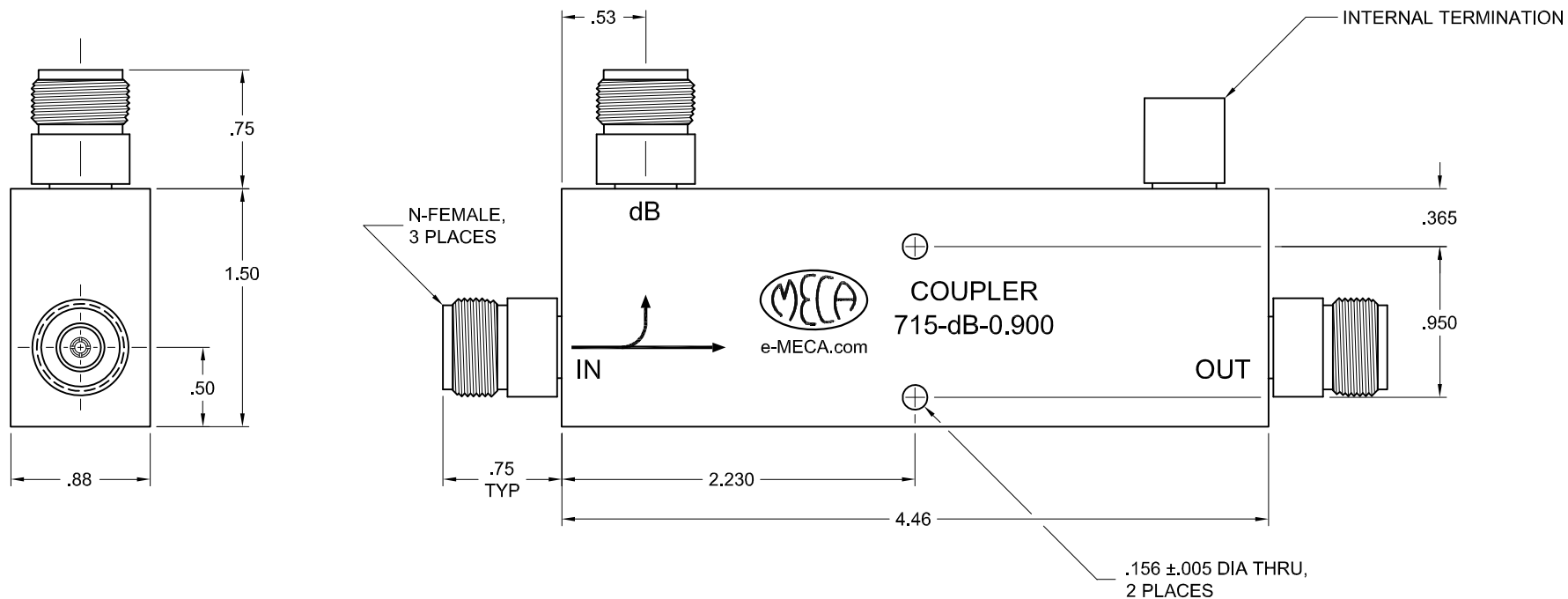
ELECTRICAL SPECIFICATIONS

FREQUENCY RANGE (GHz):	0.800-1.000	0.600-1.200
COUPLING:	*NOM ± 0.6 dB	*NOM -0.6/+1.6 dB
(INCLUDES ALL VARIATIONS)		
IMPEDANCE (NOMINAL):	50 OHMS	
VSWR (MAX):	SEE TABLE	
DIRECTIVITY (MIN):	SEE TABLE	
INSERTION LOSS (MAX):	0.1 dB	
(EXCLUDING COUPLED POWER)		
POWER RATING: AVG:	SEE TABLE	
PEAK:	10 KWATTS	

*NOMINAL COUPLING VALUES OF
6, 10, 20, 30 & 40 dB AVAILABLE


MECHANICAL SPECIFICATIONS

CONNECTORS:	N-FEMALE, BRASS, ALBALOY PLATE
CONTACT PINS:	BERYLLIUM COPPER, GOLD PLATE
HOUSING:	ALUMINUM, RoHS COMPLIANT IRIDITE
INSULATORS:	PTFE, VIRGIN ELECTRICAL GRADE
TEMPERATURE:	-55°C TO +85°C



PART NO.	COUPLING (dB) (NOMINAL)	DIRECTIVITY (dB) (MIN)		VSWR (MAX)		POWER RATING (WATTS)	
		0.8-1.0 GHz	0.6-1.2 GHz	0.8-1.0 GHz	0.6-1.2 GHz	FWD	REV
715-06-0.900	6	25	22	1.15:1	1.20:1	100	10
715-10-0.900	10	27	25	1.10:1	1.15:1	250	25
715-20-0.900	20	30	27	1.10:1	1.15:1	500	250
715-30-0.900	30	30	27	1.10:1	1.15:1	500	500
715-40-0.900	40	27	25	1.10:1	1.15:1	500	500

C	SEE DCN #090611-2	06/16/08	RR
LTR	DESCRIPTION	DATE	APP

MATERIAL: SEE ABOVE		UNLESS OTHERWISE SPECIFIED, DIMENSIONS ARE IN INCHES		 ELECTRONICS, INC. DENVER, NEW JERSEY e-meca.com	
FINISH: SEE ABOVE		TOLERANCES 2 PLACES: ± .02 3 PLACES: ± .010 ANGLES: ± ---			
DRAWN: RWA		DATE: 10/24/02		TITLE 715 SERIES DIRECTIONAL COUPLER SPECIFICATION DRAWING	
APPROVED: MJD		DATE: 10/24/02		CODE IDENT. NO. 22424	
		SHEET:		DRAWING NO. 715-dB-0.900	
		SCALE: NTS		SIZE A	