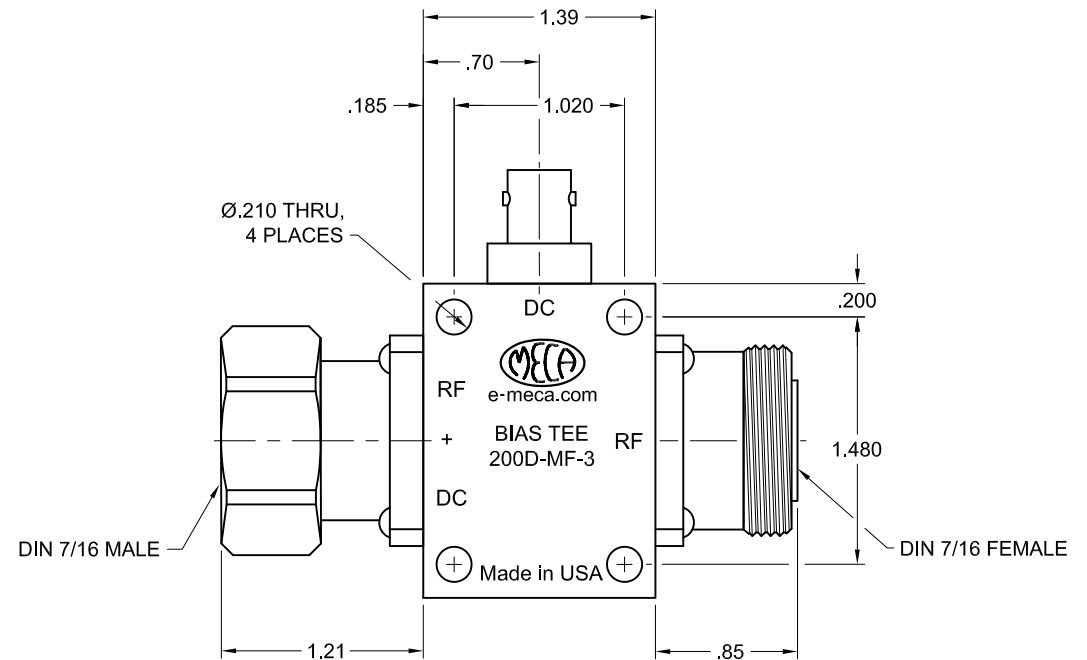
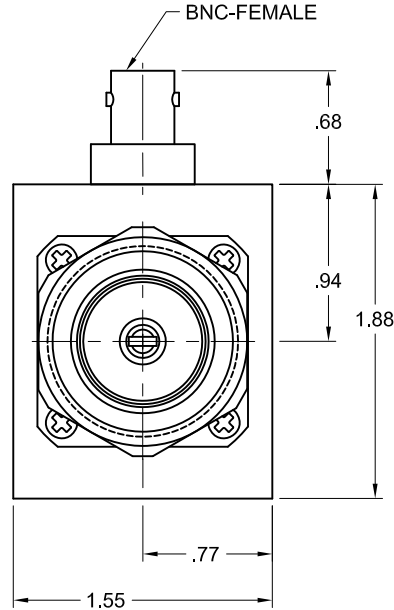
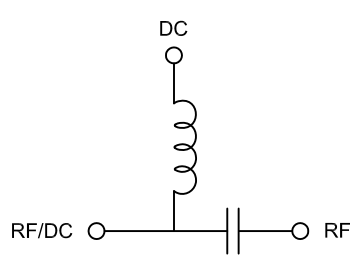



# ELECTRICAL SPECIFICATIONS

FREQUENCY RANGE (GHz):	0.500-2.500
IMPEDANCE (NOMINAL):	50 Ohms
VSWR: INPUT/OUTPUT:	1.25:1 TYP/1.40:1 MAX
INSERTION LOSS (dB):	0.25 TYP/0.50 MAX
DC VOLTAGE:	100 VDC MAX
DC CURRENT:	7 AMPS MAX
ISOLATION (RF TO BIAS PORT)(dB):	30 TYP/25 MIN
RF POWER (TOTAL MAX):	300 WATTS AVG 3 KW PEAK

# MECHANICAL SPECIFICATIONS

CONNECTORS:	DIN-MALE, BRASS, ALBALOY DIN-FEMALE, BRASS, ALBALOY BNC-FEMALE, BRASS, ALBALOY
CONNECTOR PINS:	
DIN-MALE:	BRASS, SILVER PLATE
DIN-FEMALE:	BERYLLIUM COPPER, SILVER PLATE
BNC-FEMALE:	BERYLLIUM COPPER, GOLD PLATE
HOUSING:	ALUMINUM, RoHS COMPLIANT IRIDITE
INSULATORS:	PTFE, VIRGIN ELECTRICAL GRADE
TEMPERATURE:	-55°C TO +85°C
O-RING:	SILICONE RUBBER
WEIGHT (APPROX):	12.9 oz



C	SEE DCN# 080527-1	05/27/08	AC	RR	MATERIAL: SEE ABOVE	UNLESS OTHERWISE SPECIFIED, DIMENSIONS ARE IN INCHES	 <b>ELECTRONICS, INC.</b> DENVER, NEW JERSEY e-meca.com		
LTR	PG	DESCRIPTION	DATE	DR	APP	FINISH: SEE ABOVE		TOLERANCES 2 PLACES: ±.02 3 PLACES: ±.010 ANGLES: N/A	
					DRAWN: NL	DATE: 10/12/06	TIR: N/A	<b>TITLE</b> BIAS TEE, DIN-MALE / DIN-FEMALE, BNC-FEMALE, WEATHER PROOF	
					APPROVED: PK	DATE: 10/12/06	SCALE: NTS		<b>CODE IDENT. NO.</b> 22424
					SHEET: 1 OF 1		<b>SIZE</b> <b>A</b>	<b>DRAWING NO.</b> 200D-MF-3	<b>REV</b> <b>C</b>